

Dell™ PowerEdge™ C6100

Getting Started With Your System

系统使用入门

Memulai Dengan Sistem Anda

はじめに

시스템시작하기



Dell™ PowerEdge™ C6100

Getting Started With Your System

Regulatory Model XS23-TY3



Notes, Cautions, and Warnings



NOTE: A NOTE indicates important information that helps you make better use of your computer.



CAUTION: A CAUTION indicates potential damage to hardware or loss of data if instructions are not followed.



WARNING: A WARNING indicates a potential for property damage, personal injury, or death.

Information in this document is subject to change without notice.

© 2010 Dell Inc. All rights reserved.

Reproduction of these materials in any manner whatsoever without the written permission of Dell Inc. is strictly forbidden.

Trademarks used in this text: *Dell*, the *DELL* logo, and *PowerEdge*, are trademarks of Dell Inc.; *Intel* and *Xeon* are registered trademarks of Intel Corporation in the U.S. and other countries; *Red Hat* and *Red Hat Enterprise Linux* are registered trademarks of Red Hat, Inc. in the United States and other countries; *SUSE* is a registered trademark of Novell, Inc., in the United States and other countries; *VMware* is a registered trademark of VMware, Inc. in the United States and/or other jurisdictions; *Citrix* and *XenServer* are trademarks of Citrix Systems, Inc. and/or more of its subsidiaries, and may be registered in the United States Patent and Trademark Office and in other countries.

Other trademarks and trade names may be used in this document to refer to either the entities claiming the marks and names or their products. Dell Inc. disclaims any proprietary interest in trademarks and trade names other than its own.

Regulatory Model XS23-TY3

February 2010

P/N 74MXM


Rev. A00

CAUTION: Restricted Access Location

This server is intended for installation only in restricted access locations as defined in Cl. 1.2.7.3 of IEC 60950-1: 2001 where both these conditions apply:

- Access can only be gained by *service persons* or by *users* who have been instructed about the reasons for the restrictions applied to the location and about any precautions that shall be taken.
- Access is through the use of a **tool** or lock and key, or other means of security, and is controlled by the authority responsible for the location.

Installation and Configuration


 **WARNING: Before performing the following procedure, review and follow the safety instructions that came with the system.**


Unpacking the System

Unpack your system and identify each item.

Installing the Tooled Rail Solution

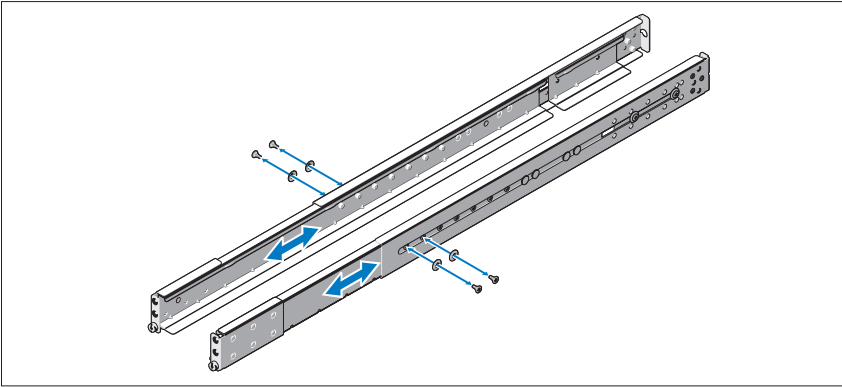
 **WARNING: Whenever you need to lift the system, get others to assist you. To avoid injury, do not attempt to lift the system by yourself.**

 **WARNING: The system is not fixed to the rack or mounted on the rails. To avoid personal injury or damage to the system, you must adequately support the system during installation and removal.**

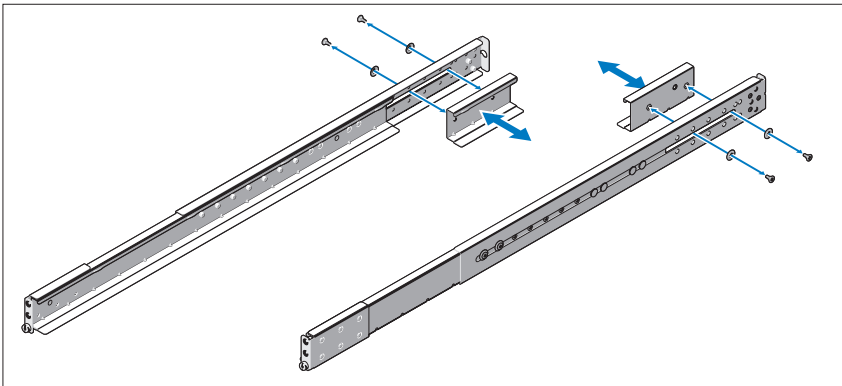
 **WARNING: To avoid a potential electrical shock hazard, a third wire safety grounding conductor is necessary for the rack installation. The rack equipment must provide sufficient airflow to the system to maintain proper cooling.**

- 1 Install the screw with the washer into the selected hole of the rail to set the travel stop position.

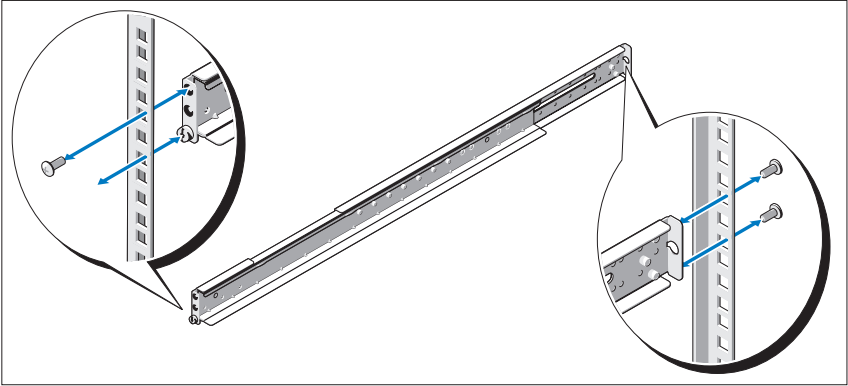
⚠ WARNING: The travel stop position is intended for repositioning your grip for system removal. It is not intended for service.




- 2 If the extension brackets (optional) prevent the installation of rails in the rack, remove the extension bracket screws to remove the extension bracket.

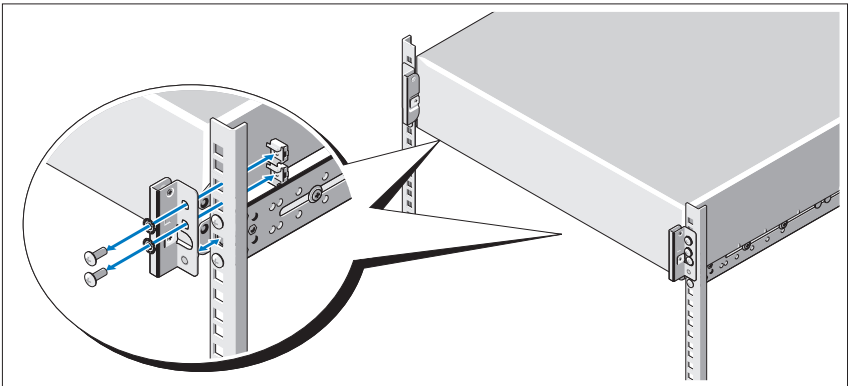


- 3 Secure the rails to the front of the rack using two screws and to the back of the rack using four screws.

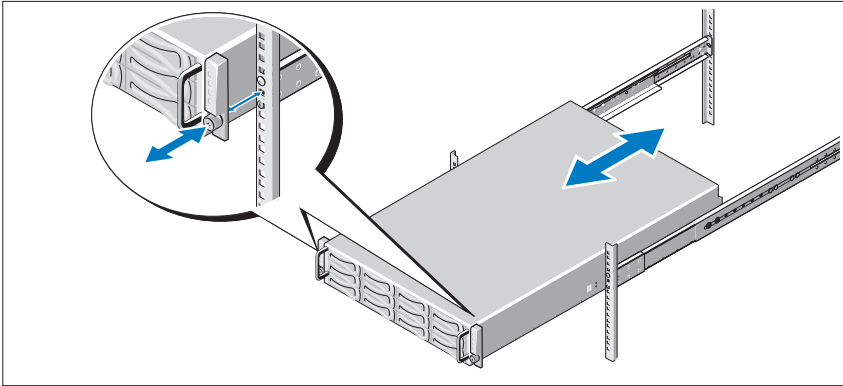


- 4 Slide the system into the rack.
- 5 If present, remove the two chassis stabilizer shipping brackets (optional) from the rack.

 **NOTE:** To transport systems already installed in the rack, ensure that the two chassis stabilizer shipping brackets (optional) are in place.




- 6 Tighten the thumbscrews to secure the ears of the system to the front of the rack.

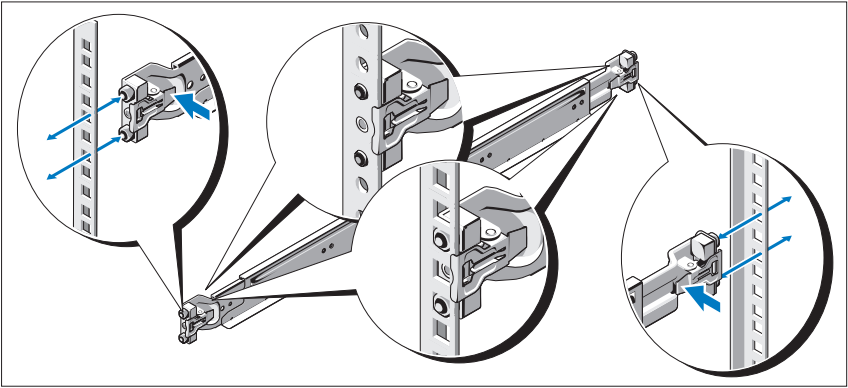


Installing the Tool-Less Rail Solution


- ⚠ WARNING:** Whenever you need to lift the system, get others to assist you. To avoid injury, do not attempt to lift the system by yourself.
- ⚠ WARNING:** The system is not fixed to the rack or mounted on the rails. To avoid personal injury or damage to the system, you must adequately support the system during installation and removal.
- ⚠ WARNING:** To avoid a potential electrical shock hazard, a third wire safety grounding conductor is necessary for the rack installation. The rack equipment must provide sufficient airflow to the system to maintain proper cooling.
- ⚠ CAUTION:** When installing rails in a square-hole rack it is important to ensure that the square peg slides through the square holes.

- 1 Align the end pieces of the rails on the vertical rack flanges to seat the pegs in the bottom hole of the first U and the top hole of the second U. Engage the back end of the rail until the latch locks in place.

 **NOTE:** The rails can be used in both square-hole and round-hole racks.




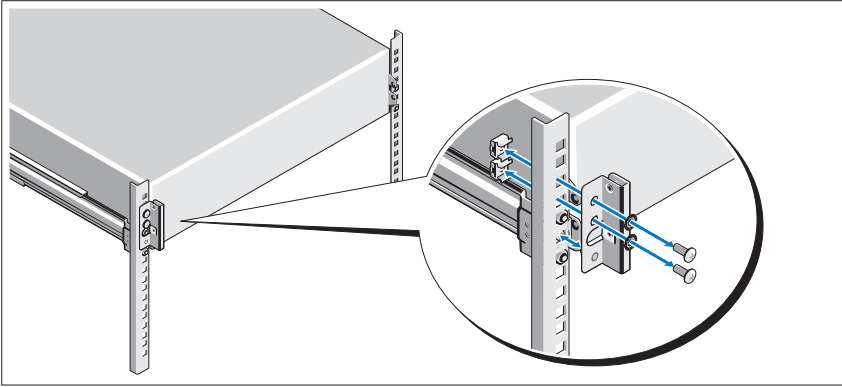
- 2 Repeat step 1 to position and seat the front end piece on the vertical flange.

 **NOTE:** To remove the rails, pull on the latch release button on the end piece midpoint and unseat each rail.

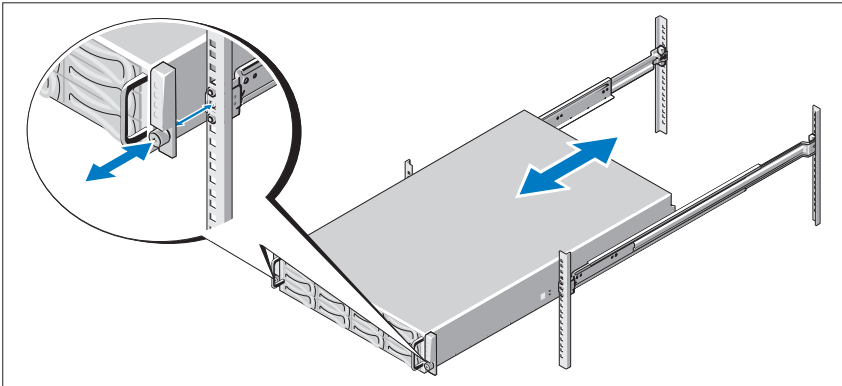
- 3 Slide the system into the rack.

- 4 If present, remove the chassis stabilizer shipping bracket (optional) from the rack.

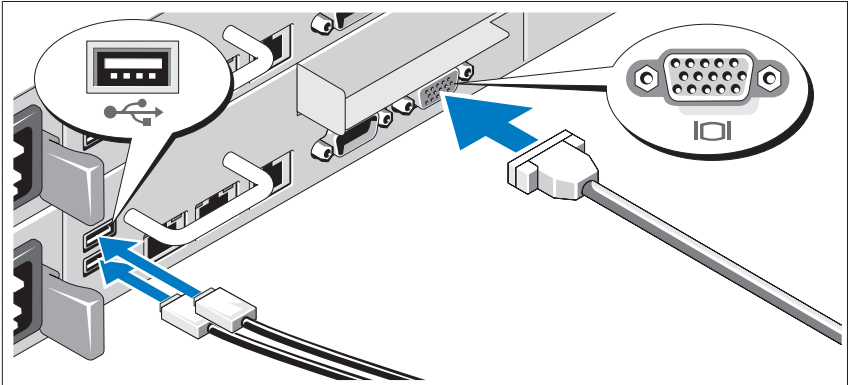
 **NOTE:** To transport systems already installed in the rack, ensure that the chassis stabilizer shipping bracket (optional) is in place.



- 5 Tighten the thumbscrews to secure the ears of system to the front of the rack.



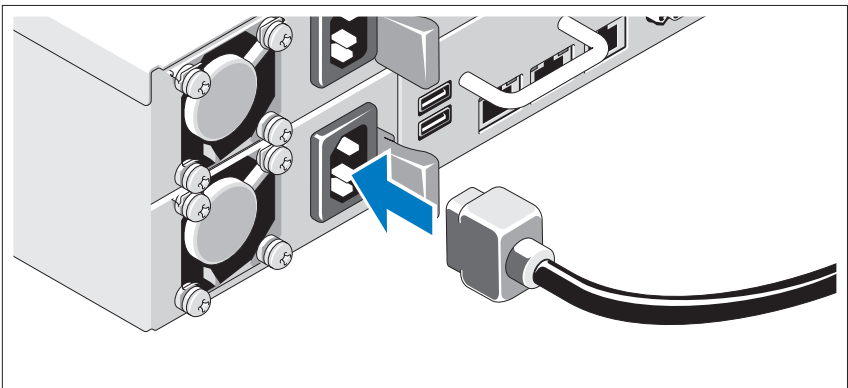
Optional – Connecting the Keyboard, Mouse, and Monitor



Connect the keyboard, mouse, and monitor (optional).

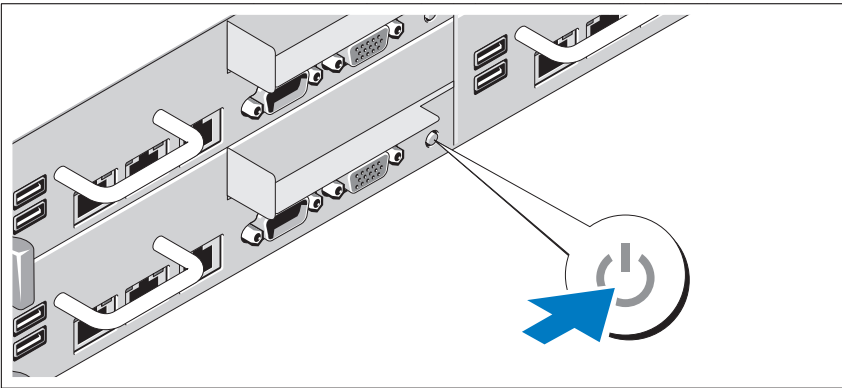
The connectors on the back of your system have icons indicating which cable to plug into each connector. Be sure to tighten the screws (if any) on the monitor's cable connector.

Connecting the Power Cable(s)



Connect the system's power cable(s) to the system and, if a monitor is used, connect the monitor's power cable to the monitor. Plug the other end of the power cables into a grounded electrical outlet or a separate power source such as an uninterruptible power supply or a power distribution unit.

Turning On the System



Press the power button(s) either on the front or back of the system and the monitor. The power indicators should light.

Complete the Operating System Setup

To install an operating system for the first time, see the installation and configuration documentation for your operating system. Be sure the operating system is installed before installing hardware or software not purchased with the system.

Supported Operating Systems

- Red Hat® Enterprise Linux® 5.4 Standard edition (x86_64)
- Red Hat Enterprise Linux 5.4 Standard edition (x86_32)
- SUSE® Linux Enterprise Server 11 (x86_64)
- VMware® ESX Server 4 Update 1
- Citrix® XenServer™ Enterprise edition 5.x



NOTE: For the latest information on supported operating systems, see support.dell.com.

Other Information You May Need



WARNING: See the safety and regulatory information that shipped with your system. Warranty information may be included within this document or as a separate document.

The *Hardware Owner's Manual* provides information about system features and describes how to troubleshoot the system and install or replace system components. This document is available online at support.dell.com/manuals.

Dell systems management application documentation provides information about installing and using the systems management software. This document is available online at support.dell.com/manuals.



NOTE: Always check for updates on support.dell.com/manuals and read the updates first because they often supersede information in other documents.

Información de la NOM (sólo para México)

La información que se proporciona a continuación aparece en el dispositivo descrito en este documento, en cumplimiento de los requisitos de la Norma Oficial Mexicana (NOM):

Importador:	Dell Inc. de México, S.A. de C.V. Paseo de la Reforma 2620 -11º Piso Col. Lomas Altas 11950 México, D.F.
Número de modelo:	XS23-TY3
Voltaje de alimentación:	100-240 V CA
Frecuencia:	50/60 Hz
Consumo eléctrico:	7–3,5 A (cada entrada) para 1 100 W/750 W 6,5–3,5 A (cada entrada) para 470 W

Technical Specifications

Processor (Per System Board)

Processor type	One or two Intel® Xeon® 5500 or 5600 series processors (up to six core processors)
----------------	--

Expansion Bus (Per System Board)

Bus type	PCI Express Generation 2
Expansion slots	
PCIe	One x16, half-length, half-height
Mezzanine PCIe	One x8, custom slot

Memory (Per System Board)

Architecture	1066 and 1333 MHz DDR3 registered memory modules with ECC
Memory module sockets	Twelve 240-pin DIMMs
Memory module capacities	2 GB, 4 GB, or 8 GB

Memory (Per System Board) (continued)

Minimum RAM	12 GB
Maximum RAM	96 GB

Drives

Hard drives	Up to twelve 3.5-inch, hot-swappable SAS/SATA drives or up to twenty four 2.5-inch, hot-swappable SAS/SATA/SSD drives
-------------	---

Connectors (Per System Board)

Back

NIC	Two RJ-45 (10/100/1000 Mbps Ethernet)
Serial	9-pin, DTE, 16550-compatible
USB	Two 4-pin, USB 2.0-compliant
Video	15-pin VGA
KVM over IP Port	Dedicated Ethernet port for remote management access

Video (Per System Board)

Video type	AST2050 video controller; VGA connector
Video memory	8 MB

Power

AC power supply (per power supply)

Wattage	470 W
Voltage	100–240 VAC, 50/60 Hz, 6.5–3.5 A
Heat dissipation	2390 BTU/hr maximum
Wattage	750 W
Voltage	100–240 VAC, 50/60 Hz, 9.5–5.0 A
Heat dissipation	3414 BTU/hr maximum
Wattage	1024 W low line/1100 W high line
Voltage	100–240 VAC, 50/60 Hz, 12.0–6.7 A
Heat dissipation	4575 BTU/hr maximum

Power (continued)

Wattage	1400 W high line
Voltage	200–240 VAC, 50/60 Hz, 8.6–7.2 A
Heat dissipation	5432 BTU/hr maximum
Maximum inrush current	Under typical line conditions and over the entire system ambient operating range, the inrush current may reach 25 A per power supply for 10 ms or less
Batteries (per system board)	
System battery	CR 2032 3.0-V lithium ion coin cell
RAID battery (optional)	3.7 V lithium ion battery pack

Physical

Height	8.7 cm (3.4 in)
Width	44.8 cm (17.6 in)
Depth	75.1 cm (29.6 in)
Weight (maximum configuration)	36.5 kg (80.5 lb)
Weight (empty)	20 kg (44.1 lb)

Environmental

NOTE: For additional information about environmental measurements for specific system configurations, see www.dell.com/environmental_datasheets.

Temperature

Operating 10° to 35°C (50° to 95°F) with a maximum temperature gradation of 10°C per hour

NOTE: For altitudes above 2950 feet, the maximum operating temperature is derated 1°F/550 ft.

Storage –40° to 65°C (–40° to 149°F) with a maximum temperature gradation of 20°C per hour

Environmental (continued)

Relative humidity

Operating	20% to 80% (noncondensing) with a maximum humidity gradation of 10% per hour
Storage	5% to 90% (noncondensing)

Maximum vibration

Operating	0.26 Grms at 5–350 Hz
Storage	1.54 Grms at 10–250 Hz for 15 min

Maximum shock

Operating	One shock pulse in the positive z axis (one pulse on each side of the system) of 31 G for 2.6 ms in the operational orientation
Storage	Six consecutively executed shock pulses in the positive and negative x, y, and z axes (one pulse on each side of the system) of 71 G for up to 2 ms Six consecutively executed shock pulses in the positive and negative x, y, and z axes (one pulse on each side of the system) of 27 G faired square wave pulse with velocity change at 235 inches/second (597 centimeters/second)

Altitude

Operating	–16 to 3,048 m (–50 to 10,000 ft) NOTE: For altitudes above 2950 feet, the maximum operating temperature is derated 1°F/550 ft.
Storage	–16 to 10,600 m (–50 to 35,000 ft)

Environmental (continued)

Airborne Contaminant Level

Class	G2 or lower as defined by ISA-S71.04-1985
Operating	One shock pulse in the positive z axis (one pulse on each side of the system) of 31 G for 2.6 ms in the operational orientation
Storage	Six consecutively executed shock pulses in the positive and negative x, y, and z axes (one pulse on each side of the system) of 71 G for up to 2 ms Six consecutively executed shock pulses in the positive and negative x, y, and z axes (one pulse on each side of the system) of 27 G faired square wave pulse with velocity change at 235 inches/second (597 centimeters/second)

Altitude

Operating	-16 to 3,048 m (-50 to 10,000 ft)
-----------	-----------------------------------

NOTE: For altitudes above 2950 feet, the maximum operating temperature is derated 1°F/550 ft.

Storage	-16 to 10,600 m (-50 to 35,000 ft)
---------	------------------------------------

Airborne Contaminant Level

Class	G2 or lower as defined by ISA-S71.04-1985
-------	---

Dell™ PowerEdge™ C6100

系统使用入门

管制型号 XS23-TY3



注、小心和警告



注：“注”表示可以帮助您更好地使用计算机的重要信息。



小心：“小心”表示如果不遵循说明，就有可能损坏硬件或导致数据丢失。



警告：“警告”表示可能会造成财产损失、人身伤害甚至死亡。

本说明文件中的信息如有更改，恕不另行通知。

© 2010 Dell Inc. **版权所有，翻印必究。**

未经 Dell Inc. 书面许可，严禁以任何形式复制这些材料。

本文中使用的商标：*Dell*、*DELL* 徽标和 *PowerEdge* 是 Dell Inc. 的商标；*Intel* 和 *Xeon* 是 Intel Corporation 在美国和其它国家 / 地区的注册商标；*Red Hat* 和 *Red Hat Enterprise Linux* 是 Red Hat, Inc. 在美国和其它国家 / 地区的注册商标；*SUSE* 是 Novell, Inc. 在美国和其它国家 / 地区的注册商标；*VMware* 是 VMware, Inc. 在美国和 / 或其它司法管辖区的注册商标；*Citrix* 和 *XenServer* 是 Citrix Systems, Inc. 和 / 或其子公司的商标，并可能已在美国专利商标局及其它国家 / 地区注册。

本说明文件中提及的其它商标和产品名称是指拥有相应商标和产品名称的公司或其制造的产品。Dell Inc. 对其它公司的商标和产品名称不拥有任何所有权。

管制型号 **XS23-TY3**

2010 年 2 月 P/N 74MXM Rev. A00

小心：受限访问位置

此服务器仅用于安装在由 IEC 60950-1: 2001 的 Cl. 1.2.7.3 定义的满足下列两个条件的受限访问位置中：

- 仅维修人员或对该位置施加限制的理由以及应当采取的防备措施已完全领会的用户，可对此服务器进行访问。
- 通过同时使用工具或锁和钥匙，或其他安全手段来访问，并且是由位置的可靠授权来控制的。

安装和配置


 **警告：执行下列步骤之前，请阅读并遵循系统随附的安全说明。**


打开系统包装

打开系统包装并确认各个组件。

安装需工具拆装导轨解决方案

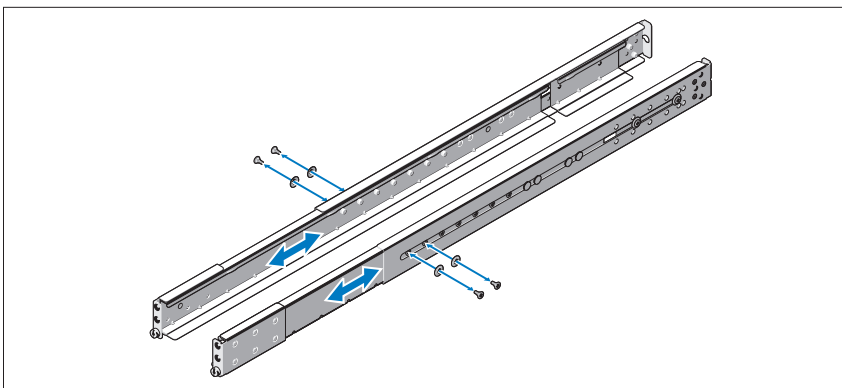
 **警告：如需抬高系统时，请让别人帮您。为避免受伤，请勿尝试独自提起系统。**

 **警告：系统未固定到机架上或未安装在导轨上。为避免人身伤害或系统损坏，在安装和拆卸时，必须给系统提供足够的支撑。**

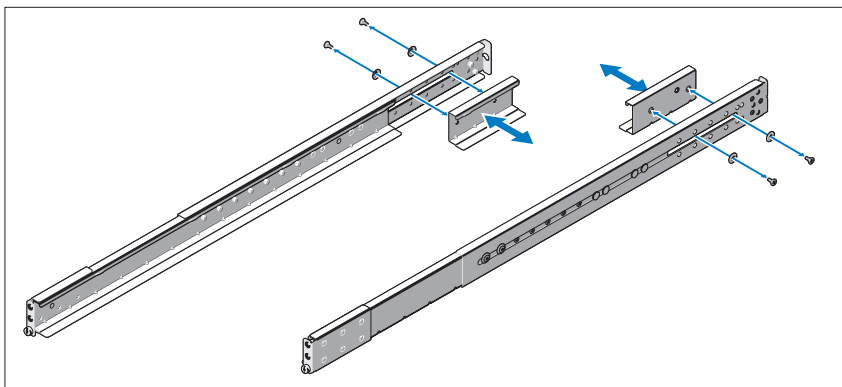
 **警告：为避免可能的电击伤害，机架安装需要第三根导线安全接地连接器。机架设备必须对系统提供足够的通风以维持适当冷却。**

- 1 将带有垫片的螺钉装入导轨上选定的螺孔，以设置行程停止位置。

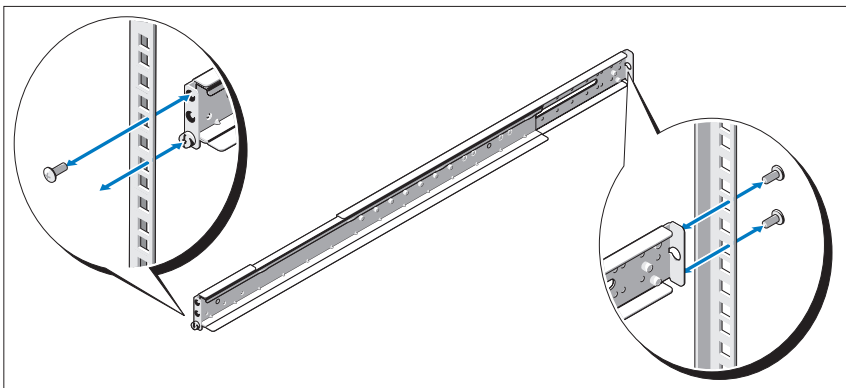
警告：行程停止位置的作用是调整把手位置，以便搬运系统，而不是用于维修。




- 2 如果扩展支架（可选）妨碍在机架中安装导轨，请卸下扩展支架螺钉，将扩展支架取下。

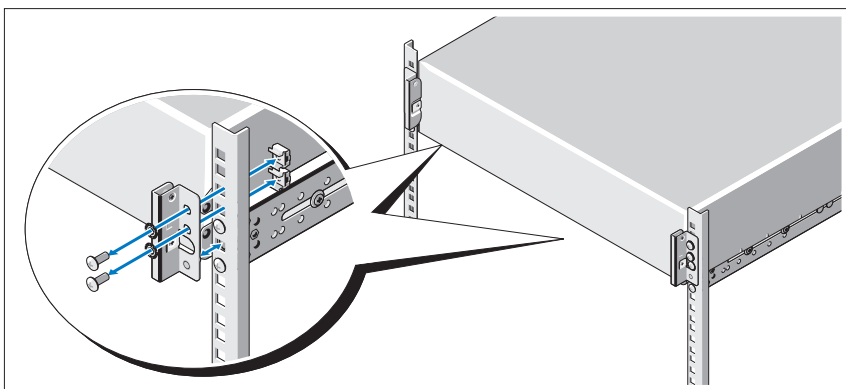


- 3 用两颗螺钉将导轨固定到机架正面，用四颗螺钉将导轨固定到机架背面。

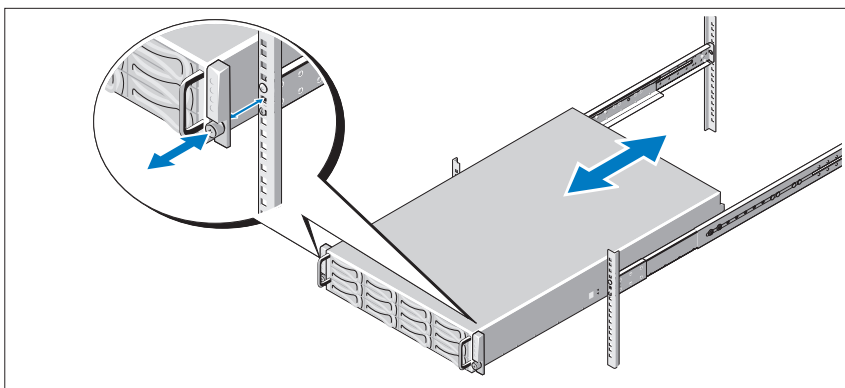


- 4 将系统滑入到机架中。
- 5 如果存在两个运输时稳固机箱的支架，请将他们从机架上取下（可选）。





 **注：**要运输已经安装在机架上的系统，请确保两个运输时稳固机箱的支架到位（可选）。




6 拧紧指旋螺钉，将系统的耳柄固定到机架正面。

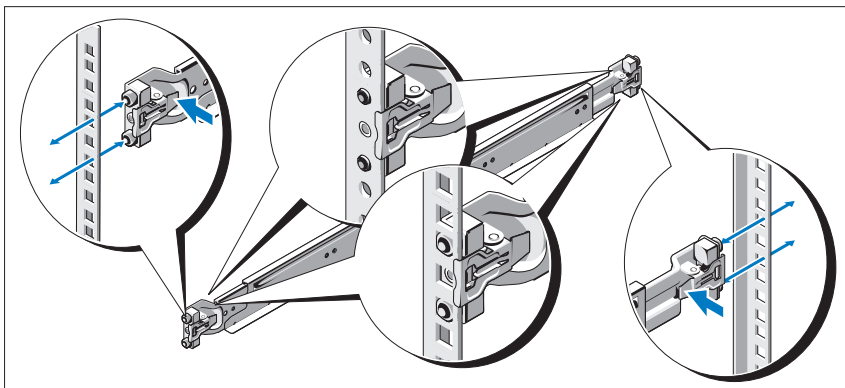


安装免工具拆装导轨解决方案


-  **警告：**如需抬高系统时，请让别人帮您。为避免受伤，请勿尝试独自提起系统。
-  **警告：**系统未固定到机架上或未安装在导轨上。为避免人身伤害或系统损坏，在安装和拆卸时，必须给系统提供足够的支撑。
-  **警告：**为避免可能的电击伤害，机架安装需要第三根导线安全接地连接器。机架设备必须对系统提供足够的通风以维持适当冷却。
-  **小心：**在方孔机架中安装导轨时，务必确保方形插销穿过方孔。

- 1 在机架垂直凸缘上对齐导轨的尾段，将插销放在第一个 U 的底孔中和第二个 U 的顶孔中。使导轨后端咬合，直到门锁锁到位。

 **注：** 导轨可以在方孔和圆孔机架中使用。




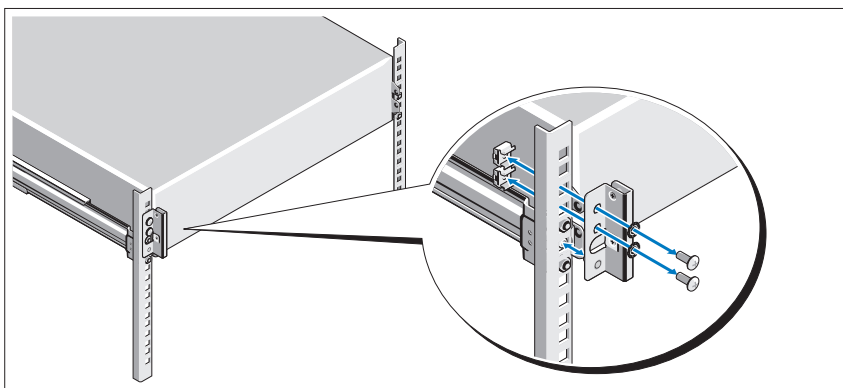
- 2 重复步骤 1，在垂直凸缘上定位和安放前尾段。

 **注：** 要卸下导轨，请拨起尾段正中央的门锁释放按钮并取出每个导轨。

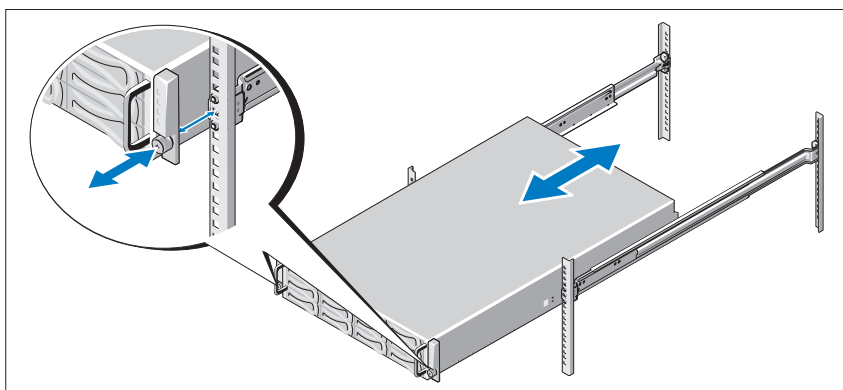
- 3 将系统滑入到机架中。

- 4 如果存在运输时稳固机箱的支架（可选），请将其从机架上卸下。

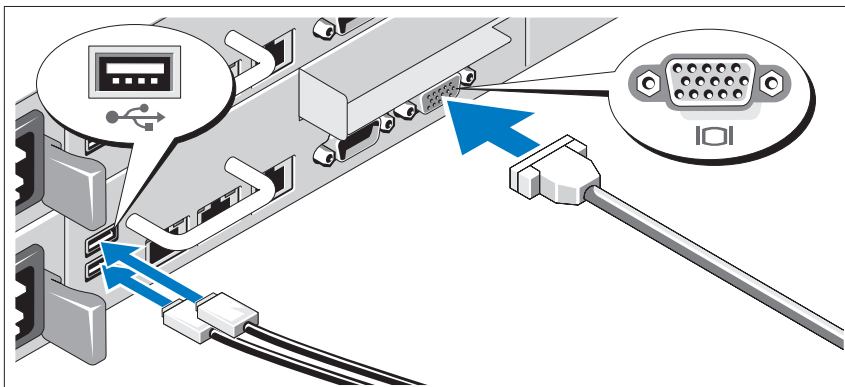
 **注：**要运输已经安装在机架上的系统，请确保运输时稳固机箱的支架（可选）就位。



- 5 拧紧指旋螺钉，将系统的耳柄固定到机架正面。



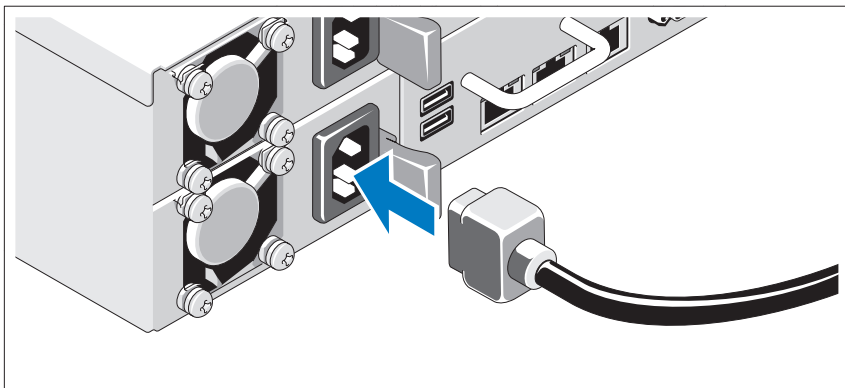
可选 - 连接键盘、鼠标和显示器



连接键盘、鼠标和显示器（可选）。

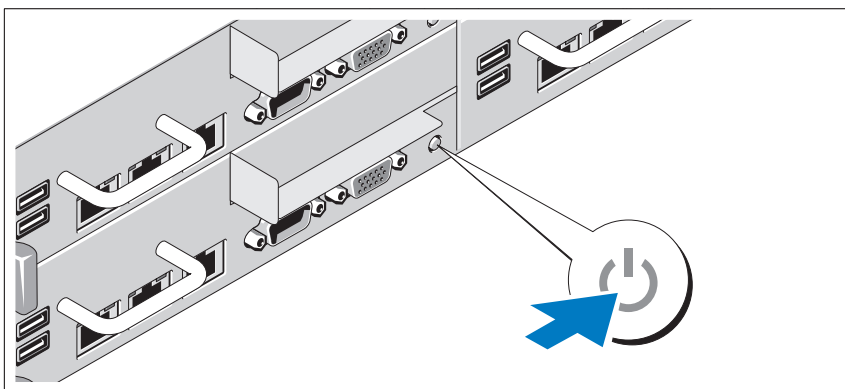
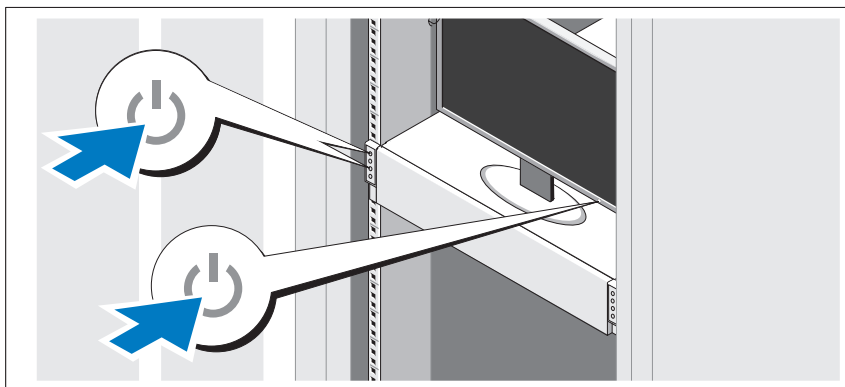
系统背面的连接器附有图标，指示要插入每个连接器的电缆。请确保拧紧显示器电缆连接器上的螺钉（如果有）。

连接电源电缆



将系统电源电缆连接至系统，如果使用显示器，则将显示器电源电缆连接至显示器。将电源电缆的另一端插入接地的电源插座或单独的电源，如不间断电源设备 (UPS) 或配电装置。

开启系统



按下系统或监视器正面或背面的电源按钮。电源指示灯将会亮起。

完成操作系统安装

第一次安装操作系统时，请参阅操作系统的安装和配置说明文件。请确保先安装操作系统，然后再安装未预装的硬件或软件。

支持的操作系统

- Red Hat[®] Enterprise Linux[®] 5.4 标准版 (x86_64)
- Red Hat Enterprise Linux 5.4 标准版 (x86_32)
- SUSE[®] Linux Enterprise Server 11 (x86_64)
- VMware[®] ESX Server 4 更新 1
- Citrix[®] XenServer[™] 企业版 5.x



注：有关支持的操作系统的最新信息，请访问 support.dell.com。

可能需要的其他信息



警告：请参阅系统随附的安全与管制信息。保修信息可能包括在该说明文件中，也可能作为单独的说明文件提供。

《硬件用户手册》提供了有关系统功能的信息，并说明了如何排除系统故障以及安装或更换系统组件。可在 support.dell.com/manuals 在线获取该说明文件。

Dell 系统管理应用程序说明文件提供了关于安装和使用系统管理软件的信息。可在 support.dell.com/manuals 在线获取该说明文件。



注：请经常访问 support.dell.com/manuals 以获得更新，并首先阅读这些更新，因为这些更新通常会取代其它说明文件中的信息。

技术规格

处理器（每个系统板）

处理器类型	一个或两个 Intel® Xeon® 5500 或 5600 系列处理器（最多六核处理器）
-------	---

扩展总线（每个系统板）

总线类型	PCI Express 第 2 代
扩充槽	
PCIe	一个 x16, 半长、全高
Mezzanine PCIe	一个 x8, 自定义插槽

内存（每个系统板）

体系结构	1066 和 1333 MHz DDR3 带有 ECC 的注册内存模块
内存模块插槽	十二个 240 针 DIMM
内存模块容量	2 GB、4 GB 或 8 GB
最小 RAM	12 GB
最大 RAM	96 GB

驱动器

硬盘驱动器	至多十二个 3.5 英寸，热交换 SAS/SATA 驱动器或至多二十四个 2.5 英寸，热交换 SAS/SATA/SSD 驱动器
-------	--

连接器（每个系统板）

背面	
NIC	两个 RJ-45（10/100/1000 Mbps 以太网）
串行	9 针、DTE、16550 兼容连接器
USB	两个 4 针、USB 2.0 兼容连接器
视频	15 针 VGA 连接器
基于 IP 的 KVM 端口	用于远程管理访问的专用以太网端口

视频（每个系统板）

视频类型	AST2050 视频控制器；VGA 连接器
视频内存	8 MB

电源

交流电源设备（每个电源设备）

功率	470 W
电压	100 - 240 VAC, 50/60 Hz, 6.5-3.5 A
散热	最大 2390 BTU/小时
功率	750 W
电压	100 - 240 VAC, 50/60 Hz, 9.5-5.0 A
散热	最大 3414 BTU/小时
功率	1024 W 低压线路 /1100 W 高压线路
电压	100 - 240 VAC, 50/60 Hz, 12.0 - 6.7 A
散热	最大 4575 BTU/小时
功率	1400 W 高压线路
电压	200 - 240 VAC, 50/60 Hz, 8.6-7.2 A
散热	最大 5432 BTU/小时
最大涌入电流	在典型的线路条件下和整个系统环境运行范围内，每个电源设备在 10 毫秒或更短时间内的涌入电流可能达到 25 A。

电池（每个系统板）

系统电池	CR 2032 3.0 V 币形锂电池
RAID 电池（可选）	3.7 V 锂离子电池组

物理

高度	8.7 厘米 (3.4 英寸)
宽度	44.8 厘米 (17.6 英寸)
厚度	75.1 厘米 (29.6 英寸)
重量 (最大配置)	36.5 千克 (80.5 磅)
重量 (空置)	20 千克 (44.1 磅)

环境参数

注：有关特定系统配置的环境测量值的其它信息，请参阅 www.dell.com/environmental_datasheets。

温度

运行时 10° 至 35° C (50° 至 95° F)，最大温度变化梯度为每小时 10° C

注：海拔高度在 2950 英尺以上时，最高操作温度按 1° F/550 英尺降低。

存储时 - 40° 至 65° C (- 40° 至 149° F)，最大温度变化梯度为每小时 20° C

相对湿度

运行时 20% 至 80% (非冷凝)，最大湿度梯度为每小时 10%

存储时 5% 至 90% (非冷凝)

最大振动

运行时 5 - 350 Hz 时为 0.26 Grms

存储时 在 10 - 250 Hz、1.54 Grms 时，可持续 15 分钟

环境参数 (续)

最大撞击

运行时

z 轴正方向上可承受一个 31 G 的撞击脉冲（系统每一面承受一个脉冲），在操作方向最多可持续 2.6 毫秒

存储时

x、y 和 z 轴正负方向上可承受连续六个 71 G 的撞击脉冲（系统每一面承受一个脉冲），最长可持续 2 毫秒

x、y 和 z 轴正负方向上可承受连续六个 27 G 的正弦波脉冲（系统每一面承受一个脉冲），速度变化为 235 英寸 / 秒（597 厘米 / 秒）

海拔高度

运行时

- 16 至 3,048 米（- 50 至 10,000 英尺）

注：海拔高度在 2950 英尺以上时，最高操作温度按 1° F/550 英尺降低。

存储时

- 16 至 10,600 米（- 50 至 35,000 英尺）

气载污染物级别

分类

G2 或更低（根据 ISA-S71.04-1985 定义的标准）

运行时

z 轴正方向上可承受一个 31 G 的撞击脉冲（系统每一面承受一个脉冲），在操作方向最多可持续 2.6 毫秒

存储时

x、y 和 z 轴正负方向上可承受连续六个 71 G 的撞击脉冲（系统每一面承受一个脉冲），最长可持续 2 毫秒

x、y 和 z 轴正负方向上可承受连续六个 27 G 的正弦波脉冲（系统每一面承受一个脉冲），速度变化为 235 英寸 / 秒（597 厘米 / 秒）

环境参数 (续)

海拔高度

运行时

- 16 至 3,048 米 (- 50 至 10,000 英尺)

注：海拔高度在 2950 英尺以上时，最高操作温度按 1° F/550 英尺降低。

存储时

- 16 至 10,600 米 (- 50 至 35,000 英尺)

气载污染物级别

分类

G2 或更低 (根据 ISA-S71.04-1985 定义的标准)

Dell™ PowerEdge™ C6100

Memulai Dengan Sistem Anda

Model Regulasi XS23-TY3



Catatan, Perhatian, dan Peringatan



CATATAN: CATATAN menunjukkan informasi penting yang membantu Anda untuk menggunakan komputer dengan lebih baik.



PERHATIAN: PERHATIAN menunjukkan kemungkinan kerusakan pada perangkat keras atau hilangnya data jika petunjuk tidak diikuti.



PERINGATAN: PERINGATAN menunjukkan kemungkinan kerusakan barang, cedera tubuh, atau kematian.

Informasi dalam dokumen ini dapat berubah tanpa pemberitahuan.

© 2010 Dell Inc. Hak cipta dilindungi undang-undang.

Dilarang keras memperbanyak materi ini dengan cara apa pun tanpa izin tertulis dari Dell Inc.

Merek dagang yang digunakan dalam dokumen ini: *Dell*, logo *DELL*, dan *PowerEdge*, adalah merek dagang dari Dell Inc.; *Intel* dan *Xeon* adalah merek dagang terdaftar dari Intel Corporation di AS dan negara-negara lainnya; *Red Hat* dan *Red Hat Enterprise Linux* adalah merek dagang terdaftar dari Red Hat, Inc. di Amerika Serikat dan negara lainnya; *SUSE* adalah merek dagang terdaftar dari Novell, Inc., di Amerika Serikat dan negara lainnya; *VMware* adalah merek dagang terdaftar dari VMware, Inc. di Amerika Serikat dan wilayah hukum lainnya; *Citrix* dan *XenServer* adalah merek dagang dari Citrix Systems, Inc. dan/atau beberapa anak perusahaannya, dan dapat terdaftar di Kantor Paten dan Merek Dagang Amerika Serikat dan di negara-negara lainnya.

Merek dagang dan nama dagang lain mungkin digunakan dalam dokumen ini untuk merujuk ke pihak lain yang memiliki hak kekayaan intelektual atas merek dan nama produk mereka. Dell Inc. menyangkal kepentingan kepemilikan apa pun atas merek dagang dan nama dagang selain miliknya sendiri.

Model Regulasi XS23-TY3

Februari 2010

No. Komp. 74MXM

Rev. A00

PERHATIAN: Lokasi Akses Terbatas

Server ini ditujukan untuk instalasi hanya di lokasi akses terbatas sebagaimana didefinisikan dalam Cl. 1.2.7.3 dalam IEC 60950-1: 2001 dengan kedua syarat berlaku:

- Akses hanya dapat dilakukan oleh *petugas servis* atau oleh *pengguna* yang telah mendapatkan penjelasan tentang batasan yang diterapkan pada lokasi dan tentang tindakan pencegahan yang harus dilakukan.
- Akses dilakukan dengan menggunakan **alat** atau gembok dan kunci, atau alat pengaman lainnya, dan dikontrol oleh pihak berwenang yang bertanggung jawab atas lokasi.


Instalasi dan Konfigurasi

 **PERINGATAN: Sebelum melakukan prosedur berikut, bacalah dan ikuti petunjuk keselamatan yang disertakan dengan sistem.**


Membuka kemasan Sistem

Buka kemasan sistem Anda dan kenali masing-masing barang.

Menginstal Solusi Rel dengan Alat

 **PERINGATAN: Setiap kali Anda perlu mengangkat sistem, mintalah orang lain untuk membantu Anda. Untuk mencegah cedera, jangan mencoba mengangkat sistem sendirian.**

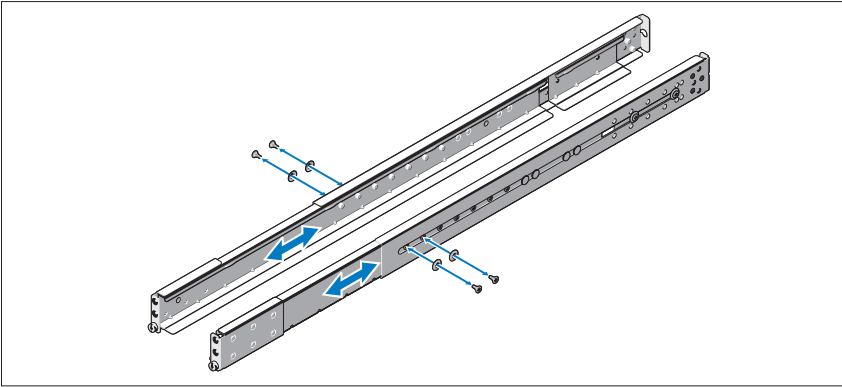
 **PERINGATAN: Sistem belum terpasang pada rak atau digantung pada relnya. Untuk mencegah cedera atau kerusakan pada sistem, Anda harus menyangga sistem dengan baik selama instalasi dan melepaskan sistem.**

 **PERINGATAN: Untuk mencegah potensi bahaya tersengat listrik, diperlukan konduktor dengan kabel ketiga yang ditanahkan sebagai pengaman untuk menginstal rak. Perlengkapan rak harus menyediakan aliran udara yang memadai untuk menjaga pendinginan yang dibutuhkan.**

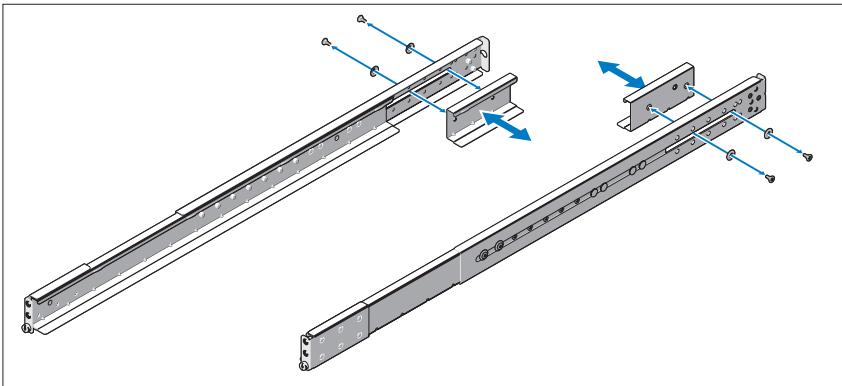
- 1 Instal sekrup dengan penutup pada lubang yang dipilih pada rel untuk menyatel posisi stop perjalanan.



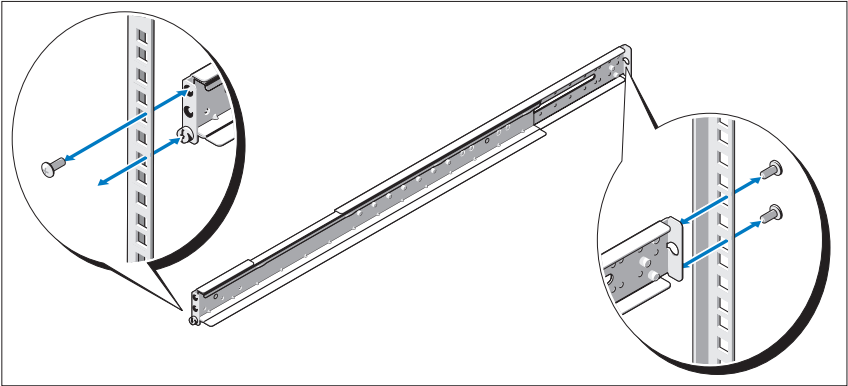
PERINGATAN: Posisi stop perjalanan digunakan untuk mereposisi genggaman saat melepas sistem. Ini bukan untuk keperluan servis.



- 2 Jika braket tambahan (opsional) mencegah instalasi rel dalam rak, buka sekrup braket tambahan untuk melepaskan braket tambahan.



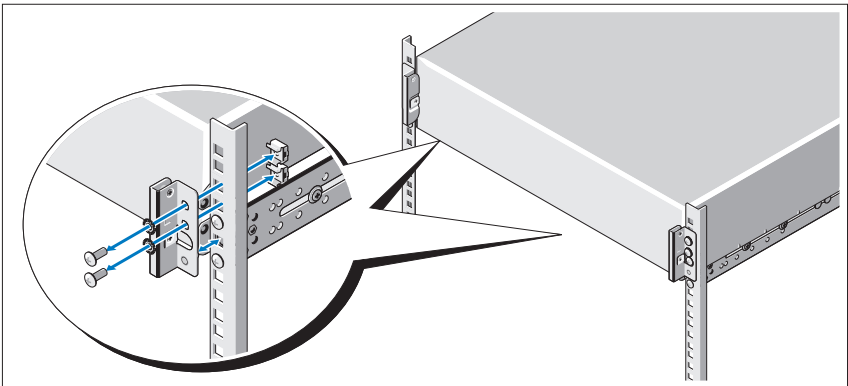
- 3 Kencangkan rel pada bagian depan rak menggunakan 2 sekrup dan pada bagian belakang rak menggunakan 4 sekrup.



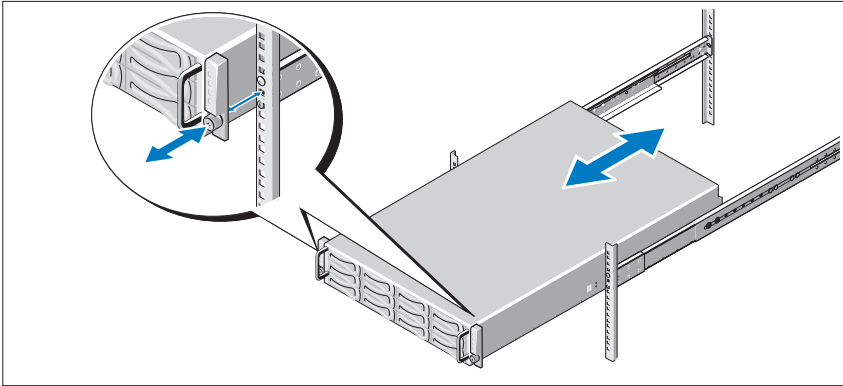
- 4 Luncurkan sistem ke dalam rak.
- 5 Jika ada, lepaskan 2 braket pengiriman untuk menstabilkan sasis (opsional) dari rak.



CATATAN: Untuk memindahkan sistem yang telah terinstal dalam rak, pastikan bahwa kedua braket pengiriman untuk menstabilkan sasis (opsional) ada pada tempatnya.




- 6 Kencangkan sekrup pengatur untuk mengencangkan kuping sistem ke rak bagian depan.

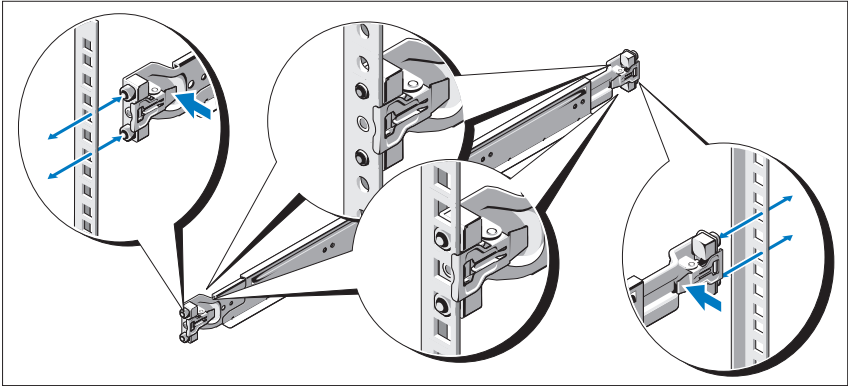


Memasang Solusi Rel dengan Alat Minimal


- ⚠ PERINGATAN:** Setiap kali Anda perlu mengangkat sistem, mintalah orang lain untuk membantu Anda. Untuk mencegah cedera, jangan mencoba mengangkat sistem sendirian.
- ⚠ PERINGATAN:** Sistem belum terpasang pada rak atau digantung pada relnya. Untuk mencegah cedera atau kerusakan pada sistem, Anda harus menyangga sistem dengan baik selama instalasi dan melepaskan sistem.
- ⚠ PERINGATAN:** Untuk mencegah potensi bahaya tersengat listrik, diperlukan konduktor dengan kabel ketiga yang ditanahkan sebagai pengaman untuk menginstal rak. Perlengkapan rak harus menyediakan aliran udara yang memadai untuk menjaga pendinginan yang dibutuhkan.
- ⚠ PERHATIAN:** Ketika menginstal rak pada rak dengan lubang persegi, penting untuk memastikan bahwa pasak persegi menembus lubang persegi.

- 1 Sesuaikan bagian ujung rel pada flens rak vertikal untuk mendudukkan pasak pada lubang bawah U pertama dan lubang atas U kedua. Tarik bagian belakang rel sampai gerendel terkunci di depannya.

 **CATATAN:** Rel dapat digunakan pada rak dengan lubang persegi dan lubang bulat.



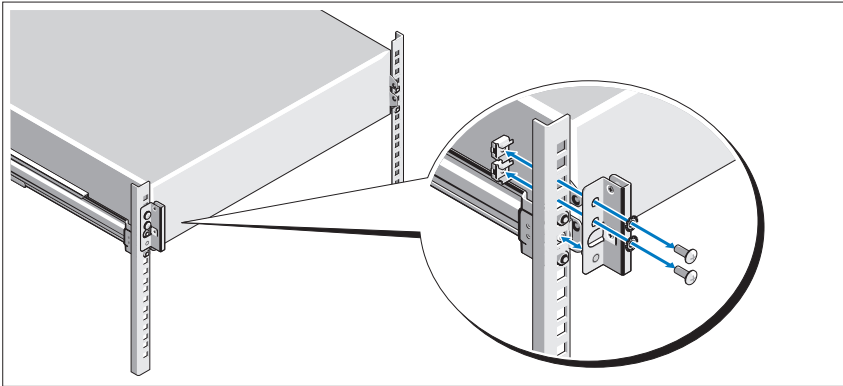
- 2 Ulangi langkah 1 untuk memposisikan dan mendudukkan bagian depan pada flens vertikal.

 **CATATAN:** Untuk melepaskan rel, tarik tombol pembebas gerendel di titik tengah bagian belakang dan lepaskan masing-masing rel.

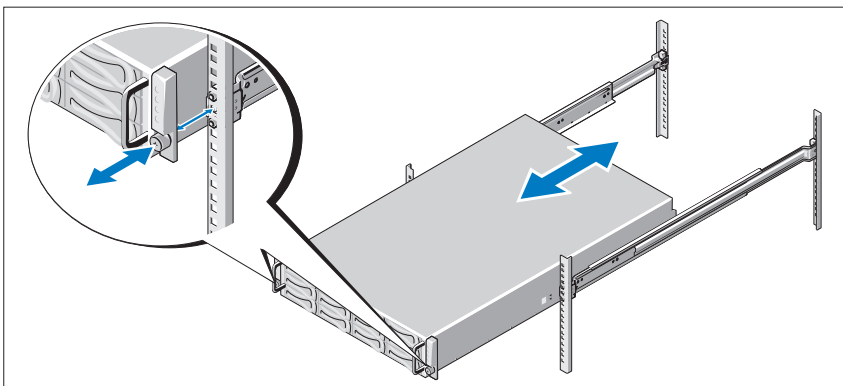
- 3 Luncurkan sistem ke dalam rak.

- 4 Jika ada, lepaskan 2 braket pengiriman untuk menstabilkan sasis (opsional) dari rak.

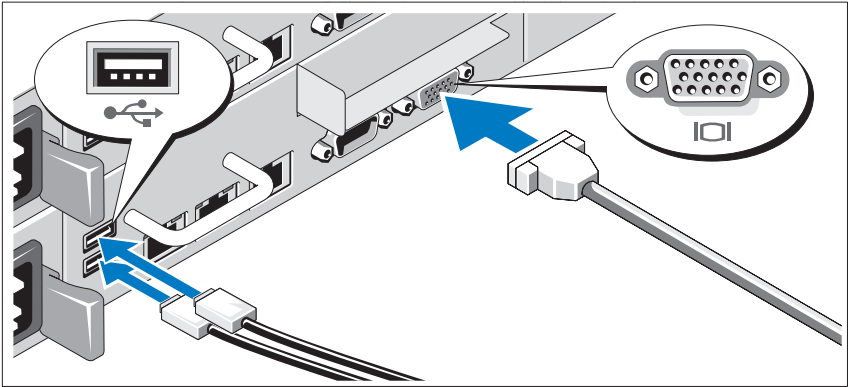
CATATAN: Untuk memindahkan sistem yang telah terinstal dalam rak, pastikan bahwa braket pengiriman untuk menstabilkan sasis (opsional) ada pada tempatnya.



- 5 Kencangkan sekrup pengatur untuk mengencangkan kuping sistem ke rak bagian depan.



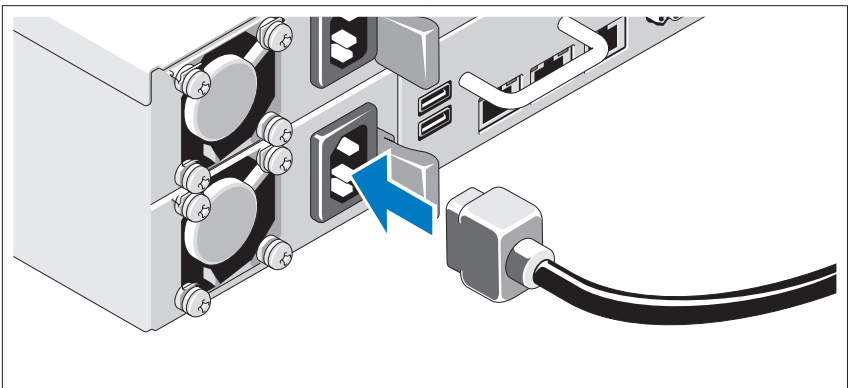
Opsional – Menghubungkan Keyboard, Mouse, dan Monitor



Hubungkan keyboard, mouse, dan monitor (opsional).

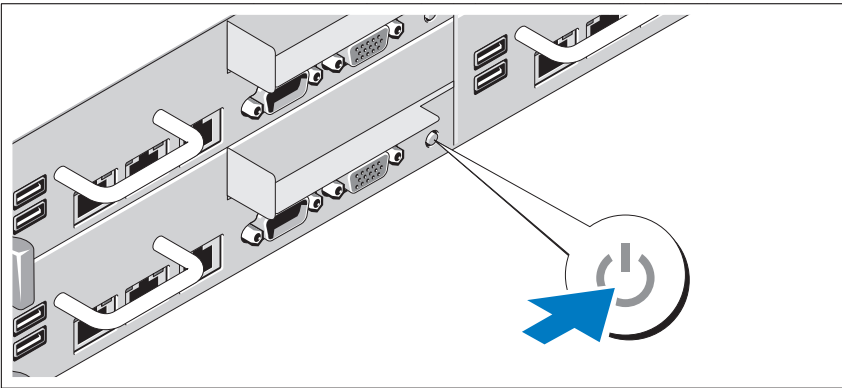
Konektor di bagian belakang sistem Anda ditandai dengan ikon yang menunjukkan kabel mana yang harus ditancapkan ke masing-masing konektor. Pastikan untuk mengencangkan sekrup (jika ada) pada konektor kabel monitor.

Menghubungkan Kabel Daya



Hubungkan kabel daya sistem ke sistem dan, jika menggunakan monitor, hubungkan kabel daya monitor ke monitor. Tancapkan ujung kabel daya yang lain ke stopkontak listrik yang ditanahkan atau sumber daya terpisah seperti catu daya tak terputus atau unit distribusi daya.

Menyalakan Sistem



Tekan tombol daya pada bagian depan atau belakang sistem dan monitor. Indikator daya seharusnya menyala.

Menyelesaikan Pemasangan Sistem Operasi

Untuk menginstal sistem operasi untuk pertama kalinya, lihat dokumentasi instalasi dan konfigurasi untuk sistem operasi Anda. Pastikan bahwa sistem operasi telah terinstal sebelum Anda menginstal perangkat keras atau perangkat lunak yang tidak dibeli bersama sistem.

Sistem Operasi yang Didukung

- Red Hat® Enterprise Linux® 5.4 edisi Standard (x86_64)
- Red Hat Enterprise Linux 5.4 edisi Standard (x86_32)
- SUSE® Linux Enterprise Server 11 (x86_64)
- VMware® ESX Server 4, Pembaruan 1
- Citrix® XenServer™ edisi Enterprise 5.x



CATATAN: Untuk informasi terkini mengenai sistem operasi yang didukung, lihat support.dell.com.

Informasi Lain Yang Mungkin Anda Perlukan



PERINGATAN: Lihat informasi keselamatan dan peraturan yang dikirimkan dengan sistem Anda. Informasi garansi mungkin disertakan dalam dokumen ini atau sebagai dokumen yang terpisah.

Panduan Pemilik Perangkat Keras berisi informasi tentang fitur sistem dan menjelaskan cara mengatasi masalah sistem dan menginstal atau mengganti komponen sistem. Dokumen ini tersedia secara online di support.dell.com/manuals.

Dokumentasi aplikasi manajemen sistem Dell menyediakan informasi mengenai instalasi dan cara menggunakan perangkat lunak manajemen sistem. Dokumen ini tersedia secara online di support.dell.com/manuals.



CATATAN: Selalu periksa pembaruan di support.dell.com/manuals dan bacalah pembaruan tersebut terlebih dahulu karena seringkali menggantikan informasi dalam dokumen lain.

Spesifikasi Teknis

Prosesor (Per Board Sistem)

Tipe prosesor	Satu atau dua prosesor Intel® Xeon® seri 5500 atau 5600 (hingga prosesor enam inti)
---------------	---

Bus Ekspansi (Per Board Sistem)

Tipe bus	PCI Express Generasi 2
Slot ekspansi	
PCIe	Satu x16 setengah panjang, setengah tinggi
PCIe Mezanin	Satu x8, slot kustom

Memori (Per Board Sistem)

Arsitektur	Modul memori terdaftar DDR3 dengan ECC 1066 dan 1333 MHz
Soket modul memori	Dua belas DIMM 240-pin
Kapasitas modul memori	2 GB, 4 GB, atau 8 GB
RAM minimum	12 GB
RAM maksimum	96 GB

Drive

Hard drive	Hingga duabelas hard drive SAS/SATA hot-swappable 3,5-inci atau hingga duapuluh empat drive SAS/SATA/SSD hot-swappable 2,5-inci
------------	---

Konektor (Per Board Sistem)

Belakang	
NIC	Dua RJ-45 (10/100/1000 Mbps Ethernet)
Serial	9-pin, DTE, kompatibel dengan 16550
USB	Dua 4-pin, memenuhi standar USB 2.0
Video	VGA 15-pin
KVM melalui Port IP	Port Ethernet khusus untuk akses manajemen jarak jauh

Video (Per Papan Sistem)

Tipe video	Kontroler video AST2050; konektor VGA
Memori video	8 MB

Daya

Catu daya AC (per catu daya)

Watt Daya	470 W
Tegangan	100-240 VAC, 50/60 Hz, 6.5-3.5 A
Pelepasan panas	Maksimum 2390 BTU/jam
Watt Daya	750 W
Tegangan	100-240 VAC, 50/60 Hz, 9.5-5.0 A
Pelepasan panas	Maksimum 3414 BTU/jam
Watt Daya	1024 W tegangan rendah/1100 W tegangan tinggi
Tegangan	100-240 VAC, 50/60 Hz, 12.0-6.7 A
Pelepasan panas	Maksimum 4575 BTU/jam
Watt Daya	1400 W (pada tegangan tinggi)
Tegangan	200-240 VAC, 50/60 Hz, 8.6-7.2 A
Pelepasan panas	Maksimum 5432 BTU/jam
Lonjakan arus maksimum	Pada kondisi jaringan listrik tipikal dan di seluruh kisaran pengoperasian normal sistem, lonjakan arus dapat mencapai 25 A per catu daya selama 10 mdtk atau kurang.

Baterai (per board sistem)

Baterai sistem	Sel koin lithium ion CR 2032 3,0-V
Baterai RAID (opsional)	Baterai lithium ion 3,7 V

Fisik

Tinggi	8,7 cm (3,4 inci)
Lebar	44,8 cm (17,6 inci)
Tebal	75,1 cm (29.6 inci)
Berat (konfigurasi maksimum)	36,5 kg (80.5 lb)
Berat (kosong)	20 kg (44,1 lb)

Lingkungan

CATATAN: Untuk informasi lebih lanjut mengenai ukuran lingkungan untuk konfigurasi sistem spesifik, lihat www.dell.com/environmental_datasheets.

Suhu

Pengoperasian	10° sampai dengan 35 (50° sampai dengan 95°F) dengan perubahan suhu maksimum 10 per jam
---------------	---

CATATAN: Pada ketinggian di atas 899,16 m (2.950 ft), suhu pengoperasian maksimum berkurang 1°F/167,64 m (550 ft).

Penyimpanan	-40° sampai dengan 65 (-40° sampai dengan 149°F) dengan perubahan suhu maksimum 20 per jam
-------------	--

Kelembapan relatif

Pengoperasian	20% sampai dengan 80% (tanpa pengembunan) dengan gradasi kelembapan 10% per jam
---------------	---

Penyimpanan	5% sampai dengan 90% (tanpa pengembunan)
-------------	--

Getaran maksimum

Pengoperasian	0,26 Grms pada 5-350 Hz
Penyimpanan	1,54 Grms pada 10-250 Hz selama 15 men

Lingkungan (*bersambung*)

Guncangan maksimum

Pengoperasian Satu pulsa guncangan pada sumbu z positif (satu pulsa pada setiap sisi sistem) sebesar 31 G selama 2,6 mdtk dalam orientasi pengoperasian

Penyimpanan Enam pulsa guncangan berturut-turut pada sumbu x, y, dan z positif dan negatif (satu puls pada setiap sisi sistem) sebesar 71 G selama hingga 2 mdtk

Enam pulsa guncangan berturut-turut pada sumbu x, y, dan z positif dan negatif (satu pulsa pada setiap sisi sistem) sebesar 27 G pulsa gelombang kotak biasa dengan perubahan kecepatan pada 597 cm/detik (235 inci/detik)

Ketinggian

Pengoperasian -16 sampai dengan 3.048 m
(-50 sampai dengan 10.000 ft)

CATATAN: Pada ketinggian di atas 899,16 m (2.950 ft), suhu pengoperasian maksimum berkurang 1°F/167,64 m (550 ft).

Penyimpanan -16 sampai dengan 10.600 m
(-50 sampai dengan 35.000 kaki)

Lingkungan (*bersambung*)

Tingkat Pencemaran Udara

Kelas	G2 atau yang lebih rendah sesuai standar ISA-S71.04-1985
Pengoperasian	Satu pulsa guncangan pada sumbu z positif (satu pulsa pada setiap sisi sistem) sebesar 31 G selama 2,6 mdtk dalam orientasi pengoperasian
Penyimpanan	Enam pulsa guncangan berturut-turut pada sumbu x, y, dan z positif dan negatif (satu puls pada setiap sisi sistem) sebesar 71 G selama hingga 2 mdtk Enam pulsa guncangan berturut-turut pada sumbu x, y, dan z positif dan negatif (satu pulsa pada setiap sisi sistem) sebesar 27 G pulsa gelombang kotak biasa dengan perubahan kecepatan pada 597 cm/detik (235 inci/detik)
Ketinggian	
Pengoperasian	-16 sampai dengan 3.048 m (-50 sampai dengan 10.000 ft) CATATAN: Pada ketinggian di atas 899,16 m (2.950 ft), suhu pengoperasian maksimum berkurang 1°F/167,64 m (550 ft).
Penyimpanan	-16 sampai dengan 10.600 m (-50 sampai dengan 35.000 kaki)
Tingkat Pencemaran Udara	
Kelas	G2 atau yang lebih rendah sesuai standar ISA-S71.04-1985

Dell™ PowerEdge™ C6100

はじめに

認可モデル XS23-TY3



メモ、注意、警告



メモ：コンピュータを使いやすいするための重要な情報を説明しています。



注意：手順に従わない場合は、ハードウェアの損傷やデータの損失の可能性を示しています。



警告：物的損害、けが、または死亡の原因となる可能性があることを示しています。

本書の内容は予告なく変更されることがあります。

© 2010 すべての著作権は Dell Inc. にあります。

Dell Inc. の書面による許可のない複製は、いかなる形態においても厳重に禁じられています。

本書に使用されている商標：Dell、DELL ロゴ、および PowerEdge は Dell Inc. の商標です。Intel および Xeon は米国その他の国における Intel Corporation の登録商標です。Red Hat および Red Hat Enterprise Linux は米国その他の国における Red Hat, Inc. の登録商標です。SUSE は米国その他の国における Novell, Inc. の登録商標です。VMware は米国その他の法域における VMware, Inc. の登録商標です。Citrix および XenServer は Citrix Systems, Inc. および / またはその関連子会社の商標であり、米国特許商標局および他の国で登録されている場合があります。

商標または製品の権利を主張する事業体を表すためにその他の商標および社名が使用されていることがあります。それらの商標や会社名は、一切 Dell Inc. に帰属するものではありません。

認可モデル XS23-TY3

2010 年 2 月 P/N 74MXM Rev. A00

△ 注意：立入制限区域

このサーバーは、IEC 60950-1: 2001 の Cl.1.2.7.3 に定義されている立入制限区域にのみ設置してください。設置については、次の両方の条件が適用されます。

- 立ち入りは、その区域に制限が適用されている理由と取るべき安全措置について指導を受けているサービススタッフまたはユーザーにのみ許可されます。
- 立ち入りは、**ツール**もしくは錠と鍵、またはその他のセキュリティ手段を使用して行い、区域を管轄する機関によって制御されます。

取り付けと設定

⚠ **警告**：次の手順を実行する前に、システムに付属しているマニュアルの「安全にお使いいただくために」をお読みください。

システムの開梱

システムを箱から取り出し、同梱品がすべて揃っていることを確認します。

ツールドレールソリューションの取り付け

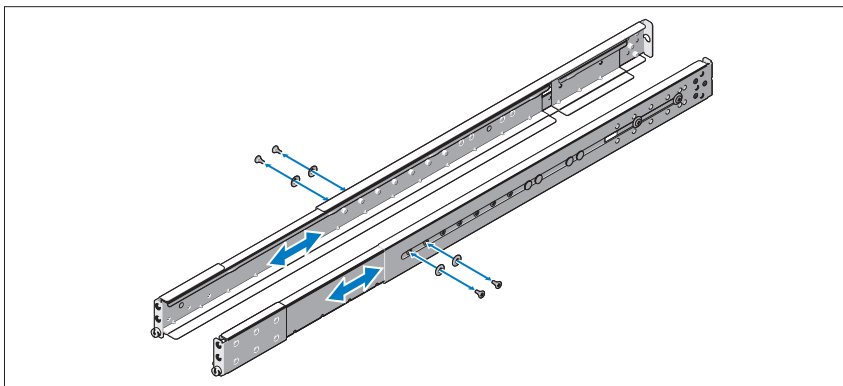
⚠ **警告**：システムを持ち上げる必要がある場合は、必ずだれかの手を借りてください。けがを防ぐため、決してシステムを一人で持ち上げようとしなしてください。

⚠ **警告**：システムはラックに固定されておらず、レールに取り付けられてもいません。人身傷害やシステムの損傷を避けるため、取り付けと取り外しの際にはシステムを十分に支えてください。

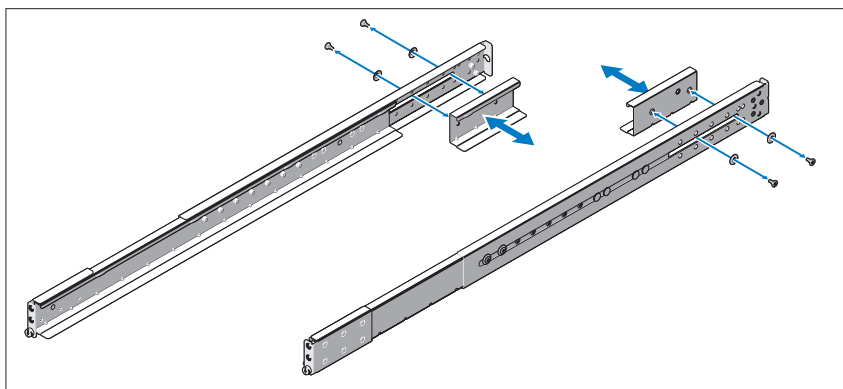
⚠ **警告**：感電の危険を避けるため、ラックの取り付けには第3種安全用接地線が必要です。適切な通気による冷却効果を維持するために、ラック装置からシステムに十分な空気の流れが必要です。

- 1 レールの決められた穴にワッシャーとネジを取り付けて、トラベルストップの位置を決めます。

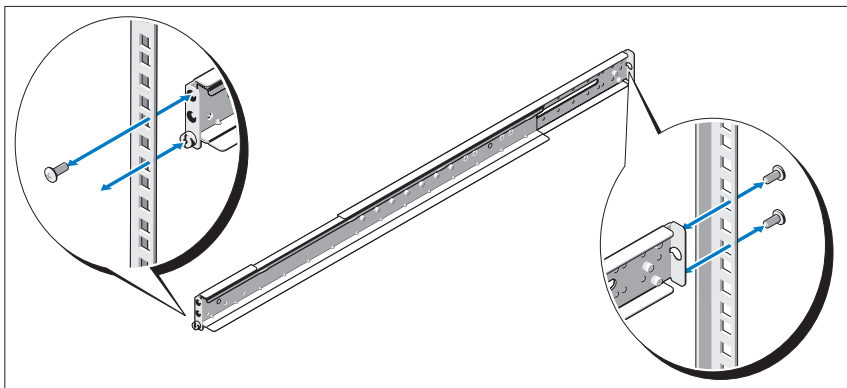
⚠ 警告：トラベルストップの位置は、システムの外し作業中につかむ位置を変えることを想定して設計されています。これ自体は、取り外したり取り付けたりする部品ではありません。




- 2 オプションの拡張ブラケットがあるためにラックにレールを取り付けることができない場合は、拡張ブラケットネジを外して拡張ブラケットを取り外します。

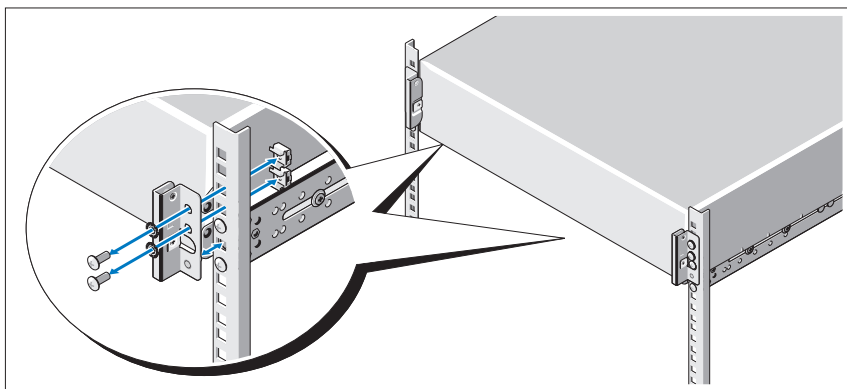


- 3 レールを2本のネジでラックの前面に、4本のネジでラックの背面に固定します。

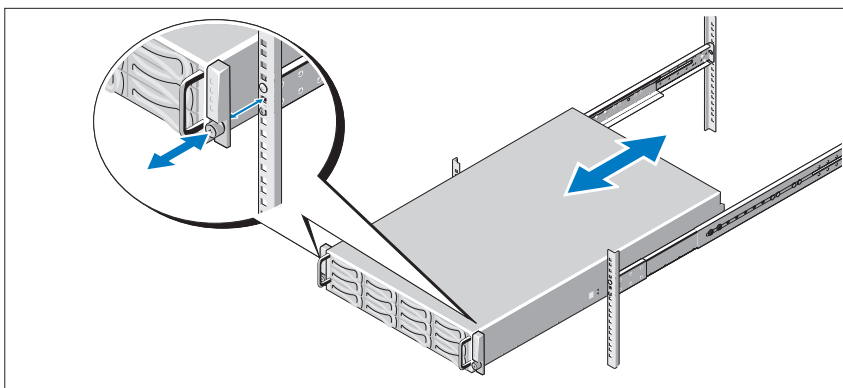


- 4 システムをラックに挿入します。
- 5 オプションのシャーシスタビライザの SHIPPING BRACKET (2個) が取り付けられている場合は、ラックから取り外します。





 **メモ**：ラックに取り付け済みのシステムを移動する場合は、2つのシャーシスタビライザ SHIPPING BRACKET (オプション) が取り付けられていることを確認してください。




- 6 蝶ネジを締めて、システムの両側をラックの前面に固定します。

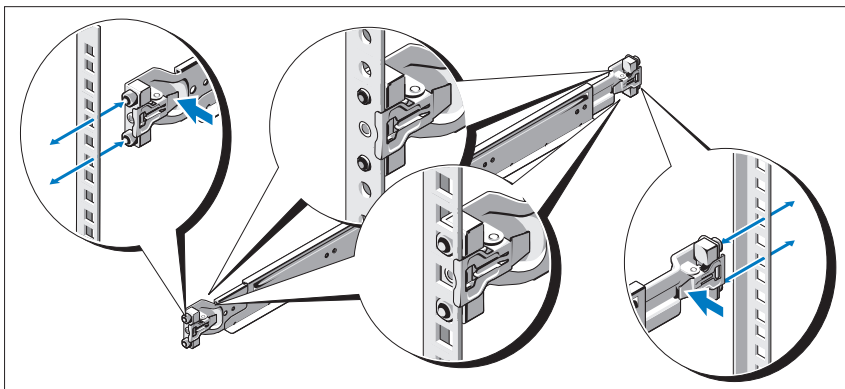


ツールレスレールソリューションの取り付け


-  **警告：**システムを持ち上げる必要がある場合は、必ずだれかの手を借りてください。けがを防ぐため、決してシステムを一人で持ち上げようとしなしてください。
-  **警告：**システムはラックに固定されておらず、レールに取り付けられてもいません。人身傷害やシステムの損傷を避けるため、取り付けと取り外しの際にはシステムを十分に支えてください。
-  **警告：**感電の危険を避けるため、ラックの取り付けには第3種安全用接地線が必要です。適切な通気による冷却効果を維持するために、ラック装置からシステムに十分な空気の流れが必要です。
-  **注意：**レールを角型穴のラックに取り付ける際には、角型のベグを角型の穴に確実に挿入することが重要です。

- 1 レールのエンドピースを垂直ラックフランジに合わせ、ペグを1番目のUの最下部の穴と2番目のUの最上部の穴に入れます。ラッチが所定の位置にロックされるまで、レールの後端をはめ込みます。

 **メモ：**レールは角型穴と丸型穴の両方のラックに使用できます。




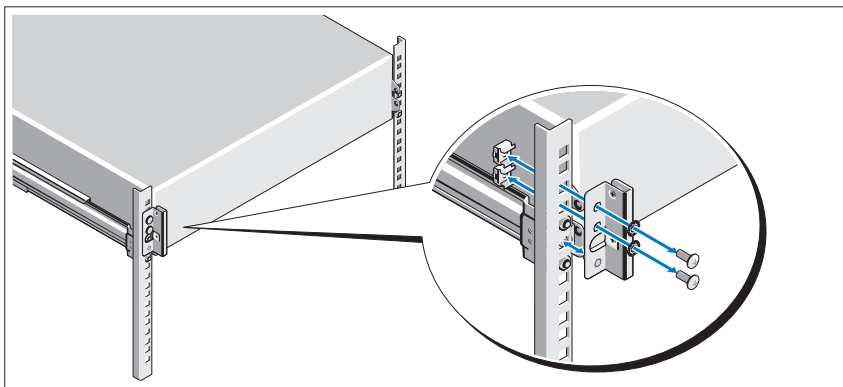
- 2 手順1を繰り返して、前面のエンドピースを垂直フランジに取り付けます。

 **メモ：**レールを取り外すには、エンドピースの中央にあるラッチリリースボタンを引いて各レールを外します。

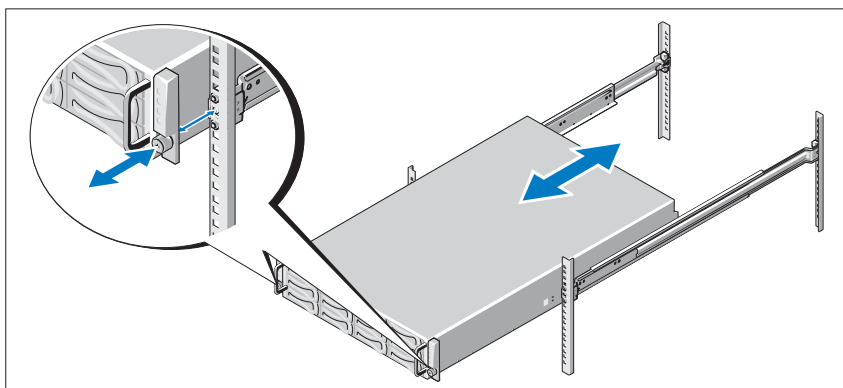
- 3 システムをラックに挿入します。

- 4 オプションのシャーシスタビライザの SHIPPING BRACKET が取り付けられている場合は、ラックから取り外します。

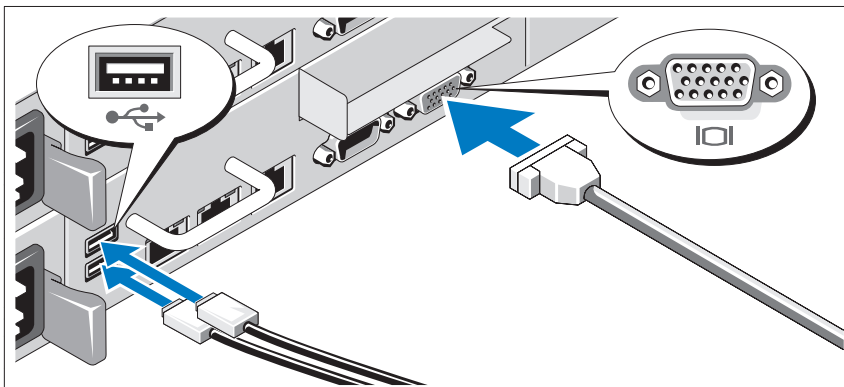
 **メモ：**ラックに取り付け済みのシステムを移動する場合は、シャーシスタビライザ SHIPPING BRACKET (オプション) が取り付けられていることを確認してください。



- 5 蝶ネジを締めて、システムの両側をラックの前面に固定します。



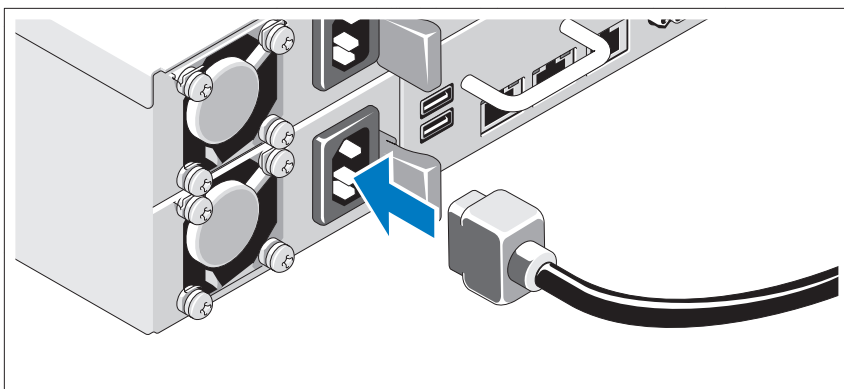
オプション - キーボード、マウス、モニターの接続



キーボード、マウス、モニター（オプション）を接続します。

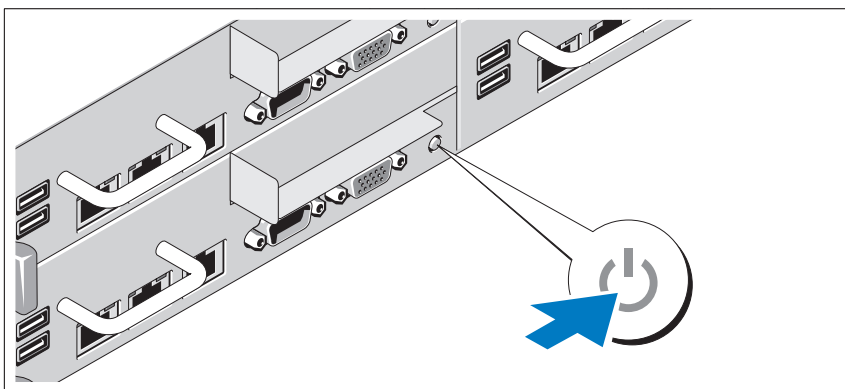
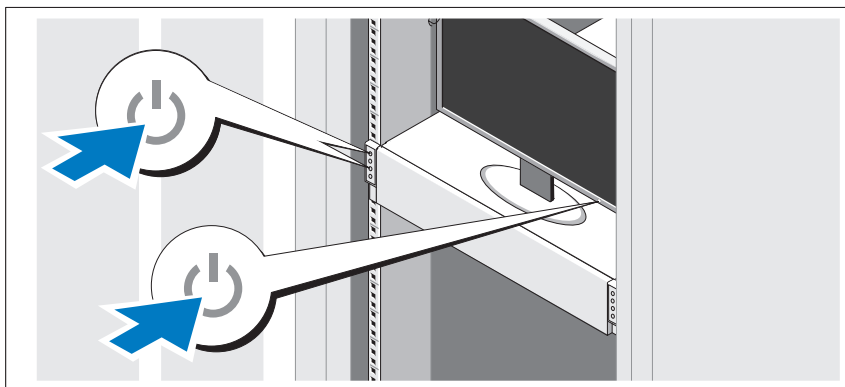
システム背面のコネクタには、どのケーブルをどのコネクタに接続するかを示すアイコンがあります。モニターのケーブルコネクタにネジがある場合は、必ず締めてください。

電源ケーブルの接続



システムの電源ケーブルをシステムに接続し、モニターを使用する場合は、モニターの電源ケーブルをモニターに接続します。電源ケーブルのもう一方の端をアースされたコンセントまたは無停電電源装置や配電装置などの別の電源に接続します。

システムの電源投入



システムとモニターの前面または背面にある電源ボタンを押します。
電源インジケータが点灯します。

OS のセットアップの完了

OS を初めてインストールする場合は、お使いの OS のインストールと設定に関するマニュアルを参照してください。システムとは別途に購入したハードウェアやソフトウェアのインストールは、OS がインストール済みであることを確認してから行ってください。

対応 OS

- Red Hat® Enterprise Linux® 5.4 Standard Edition (x86_64)
- Red Hat Enterprise Linux 5.4 Standard Edition (x86_32)
- SUSE® Linux Enterprise Server 11 (x86_64)
- VMware® ESX サーバー 4 アップデート 1
- Citrix® XenServer™ Enterprise edition 5.x



メモ：対応 OS の最新情報については、support.dell.com を参照してください。

その他の情報



警告：システムに付属のマニュアルで安全および認可機関に関する情報を参照してください。保証情報は、このマニュアルに含まれている場合と、別の文書として付属する場合があります。

『ハードウェアオーナーズマニュアル』では、システムの機能、トラブルシューティングの方法、およびコンポーネントの取り付け方や交換方法について説明しています。この文書は support.dell.com/manuals からオンラインで入手できます。

Dell システム管理アプリケーションのマニュアルでは、システム管理ソフトウェアのインストール方法と使い方を説明しています。この文書は support.dell.com/manuals からオンラインで入手できます。



メモ：アップデートには他の文書の内容を差し替える情報が含まれている場合がよくありますので、support.dell.com/manuals でアップデートがないかどうかを常に確認し、初めにお読みください。

仕様

プロセッサ (各システム基板につき)

プロセッサのタイプ	Intel® Xeon® 5500/5600 シリーズのプロセッサが 1 個または 2 個 (6 コアまで)
-----------	--

拡張バス (各システム基板につき)

バスのタイプ	PCI Express Generation 2
拡張スロット	
PCIe	x16 ハーフレンクス、ハーフハイト 1 個
メザニン PCIe	x8、カスタムスロット 1 個

メモリ (各システム基板につき)

アーキテクチャ	DDR3 1066/1333 MHz ECC レジスタメモリモジュール
メモリモジュールソケット	240 ピン DIMM 12 枚
メモリモジュールの容量	2 GB、4 GB、または 8 GB
最小 RAM	12 GB
最大 RAM	96 GB

ドライブ

ハードドライブ	ホットスワップ対応の 3.5 インチ SAS/SATA ドライブ 12 台まで、またはホットスワップ対応の 2.5 インチ SAS/SATA/SSD ドライブ 24 台まで
---------	--

コネクタ (各システム基板につき)

背面	
NIC	RJ-45 (10/100/1000 Mbps イーサネット) コネクタ 2 個
シリアル	16550 互換 9 ピン DTE
USB	4 ピン USB 2.0 対応コネクタ 2 個
ビデオ	15 ピン VGA
KVM-over-IP ポート	リモート管理アクセス専用イーサネットポート

ビデオ（各システム基板につき）

ビデオのタイプ	AST2050 ビデオコントローラ、VGA コネクタ
ビデオメモリ	8 MB

電源

AC 電源ユニット（各電源ユニットにつき）

ワット数	470 W
電圧	100 ~ 240 VAC、50/60 Hz、6.5 ~ 3.5 A
熱消費	最大 2390 BTU/時
ワット数	750 W
電圧	100 ~ 240 VAC、50/60 Hz、9.5 ~ 5.0 A
熱消費	最大 3414 BTU/時
ワット数	1024 W 低ライン / 1100 W 高ライン
電圧	100 ~ 240 VAC、50/60 Hz、12.0 ~ 6.7 A
熱消費	最大 4575 BTU/時
ワット数	1400 W 高ライン
電圧	200 ~ 240 VAC、50/60 Hz、8.6 ~ 7.2 A
熱消費	最大 5432 BTU/時
最大流入電流	通常のラインコンディションのもと、システムの動作環境全範囲で、電源ユニット 1 台につき 10 ミリ秒以下で 25 A の入電量を許容できます。

バッテリー（各システム基板につき）

システムバッテリー	3.0 V コイン型リチウムイオンバッテリー CR 2032
RAID バッテリー（オプション）	3.7 V リチウムイオンバッテリーパック

寸法と重量

縦幅	8.7 cm
横幅	44.8 cm
奥行き	75.1 cm
重量（最大構成）	36.5 kg
重量（空の状態）	20 kg

環境

メモ：特定のシステム構成でのその他の環境条件の詳細については、www.dell.com/environmental_datasheetsを参照してください。

温度

動作時	1 時間当たり最大 10° C の温度変化で 10 ~ 35° C メモ ：高度が 900 m を超えると、動作時の許容最大温度は、168 m ごとに 1° F ずつ低下します。
-----	--

保管時	1 時間当たり最大 20° C の温度変化で -40 ~ 65° C
-----	---------------------------------------

相対湿度

動作時	1 時間当たり最大 10 パーセントの湿度変化で 20 ~ 80 パーセント（結露しないこと）
保管時	5 ~ 90 パーセント（結露しないこと）

最大振動

動作時	5 ~ 350 Hz で 0.26 Grms
保管時	15 分間にわたり 10 ~ 250 Hz で 1.54 Grms

環境（続き）

最大衝撃

動作時 z 軸の正方向に 2.6 ミリ秒で 31 G の 1 衝撃パルス（システムの各面に対して 1 パルス）

保管時 x、y、z 軸の正および負方向に 6 連続衝撃パルス（システムの各面に対して 1 パルス）、2 ミリ秒以下で 71 G
x、y、z 軸の正および負方向に 6 連続衝撃パルス（システムの各面に対して 1 パルス）、27 G フェアードスクエアパルス波（597 cm / 秒の速度変化）

高度

動作時 -16 ~ 3,048 m
メモ：高度が 900 m を超えると、動作時の許容最大温度は、168 m ごとに 1° F ずつ低下します。

保管時 -16 ~ 10,600 m

空気汚染物質レベル

クラス G2 またはそれ未満（ISA-571.04-1985 の定義による）

動作時 z 軸の正方向に 2.6 ミリ秒で 31 G の 1 衝撃パルス（システムの各面に対して 1 パルス）

保管時 x、y、z 軸の正および負方向に 6 連続衝撃パルス（システムの各面に対して 1 パルス）、2 ミリ秒以下で 71 G
x、y、z 軸の正および負方向に 6 連続衝撃パルス（システムの各面に対して 1 パルス）、27 G フェアードスクエアパルス波（597 cm / 秒の速度変化）

環境（続き）

高度

動作時

-16 ~ 3,048 m

メモ：高度が 900 m を超えると、動作時の許容最大温度は、168 m ごとに 1° F ずつ低下します。

保管時

-16 ~ 10,600 m

空気汚染物質レベル

クラス

G2 またはそれ未満（ISA-S71.04-1985 の定義による）

Dell™ PowerEdge™ C6100

시스템 시작하기

규정 모델 XS23-TY3



주, 주의 및 경고



주: 주는 컴퓨터를 보다 효율적으로 사용하는 데 도움을 주는 중요 정보를 제공합니다.



주의: 주의는 지침을 준수하지 않을 경우의 하드웨어 손상이나 데이터 손실 위험을 설명합니다.



경고: 경고는 재산상의 피해나 심각한 부상 또는 사망을 유발할 수 있는 위험이 있음을 알려줍니다.

이 문서의 정보는 사전 통보 없이 변경될 수 있습니다.

© 2010 Dell Inc. 저작권 본사 소유.

Dell Inc.의 서면 승인 없이 어떠한 방식으로든 본 자료를 무단 복제하는 행위는 엄격히 금지됩니다.

본 설명서에 사용된 상표인 *Dell*, *DELL* 로고 및 *PowerEdge*는 Dell Inc.의 상표이며, *Intel* 및 *Xeon*은 미국 및 기타 국가에서 Intel Corporation의 등록 상표입니다. *Red Hat* 및 *Red Hat Enterprise Linux*는 미국 및 기타 국가에서 Red Hat, Inc.의 등록 상표입니다. *SUSE*는 미국 및 기타 국가에서 Novell, Inc.의 등록 상표입니다. *VMware*는 미국 및/또는 기타 지역에서 VMware, Inc.의 등록 상표입니다. *Citrix* 및 *XenServer*는 Citrix Systems, Inc. 및/또는 그 계열사의 상표이며 미국 특허청 및 기타 국가에 등록된 것일 수 있습니다.

본 문서에서 특정 회사의 표시나 제품 이름을 지칭하기 위해 기타 상표나 상호를 사용할 수도 있습니다. Dell Inc.는 자사가 소유하고 있는 것 이외에 기타 모든 상표 및 상호에 대한 어떠한 소유권도 없습니다.

규정 모델 **XS23-TY3**

2010 년 2 월 P/N 74MXM Rev. A00

△ 주의 : 제한 접근 지역

본 서버는 다음 두 상황이 적용되는 IEC 60950-1: 2001의 Cl. 1.2.7.3에 정의된 제한 접근 지역에서만 설치하도록 고안되었습니다.

- 해당 지역에 적용되는 제한 사유 및 취해야 할 모든 예방 조치에 관해 지도를 받은 *서비스 기술자* 또는 *사용자*만 액세스할 수 있습니다.
- 접근은 **도구**, 잠금 및 키 또는 다른 보안 수단을 사용하여 이루어지며, 지역 담당 책임자에 의해 제어됩니다.

설치 및 구성

⚠ 경고 : 다음 절차를 수행하기 전에 시스템과 함께 제공되는 안전 지침을 검토하십시오.

시스템 포장 풀기

시스템 포장을 풀고 각 항목을 확인합니다.

도구를 사용한 레일 솔루션 설치

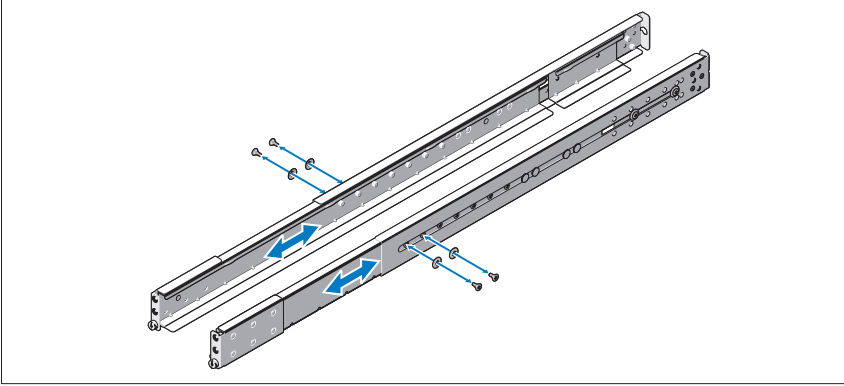
⚠ 경고 : 시스템을 옮겨야 하는 경우에는 반드시 다른 사람의 도움을 받으십시오. 부상당할 우려가 있으므로 시스템을 혼자 들지 마십시오.

⚠ 경고 : 시스템은 랙에 고정되거나 레일에 장착되어 있지 않습니다. 부상이나 시스템 손상을 방지하려면 설치 또는 제거 시 시스템을 적절한 방법으로 지지해야 합니다.

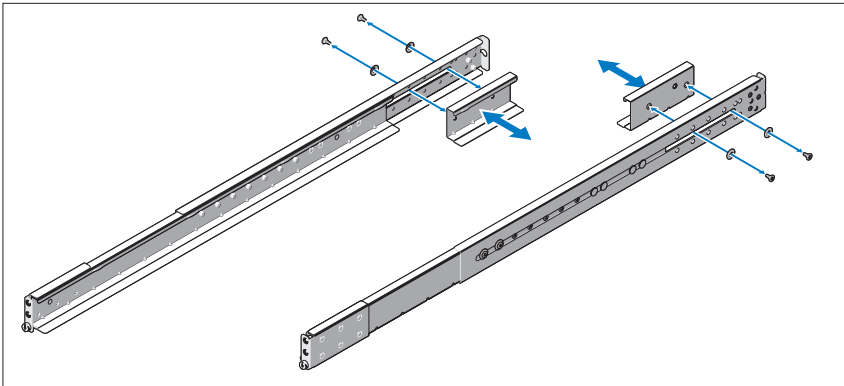
⚠ 경고 : 전기 충격의 위험을 방지하려면 랙 설치 시 세 번째 와이어 안전 접지 전도체가 필요합니다. 랙 장비는 알맞은 냉각을 유지하기 위해 시스템에 충분한 공기 흐름을 제공해야 합니다.

- 1 선택한 레일 구멍에 와셔와 함께 나사를 설치하여 이동 멈춤 위치를 설정합니다.

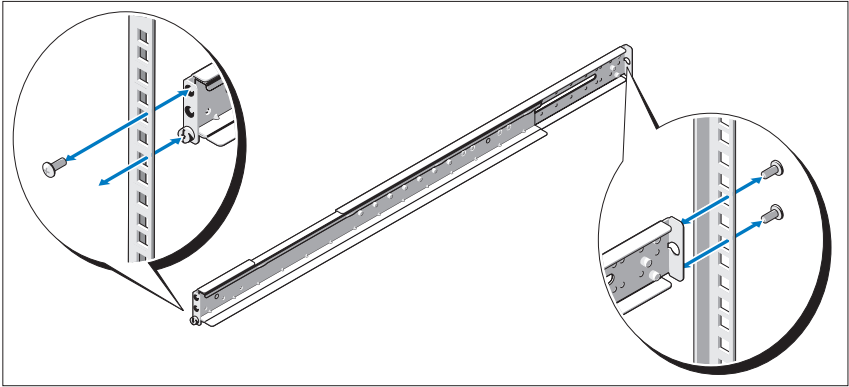
⚠ 경고 : 이동 멈춤 위치는 시스템 분리 시에 손으로 잡을 부분을 재조정하기 위한 것입니다. 이 기능은 서비스 제공을 위한 것이 아닙니다.




- 2 랙에 레일을 설치할 때 연장 브래킷(선택 사양)이 방해가 되는 경우에는 연장 브래킷 나사를 풀어 연장 브래킷을 분리합니다.

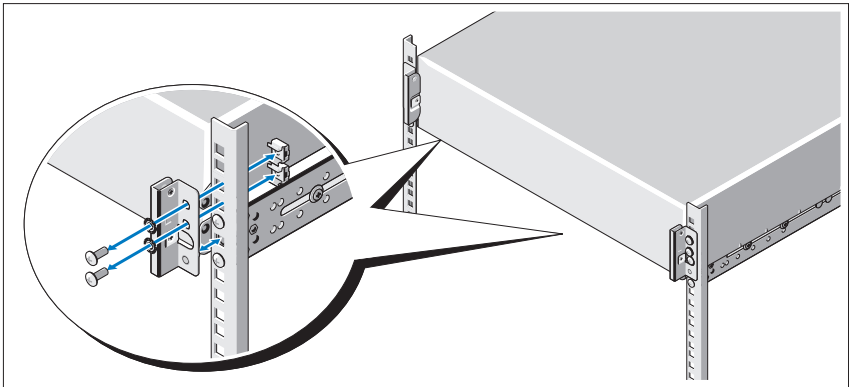


- 3 랙 전면에 나사 2개를 사용하고 랙 후면에 나사 4개를 사용하여 레일을 고정합니다.

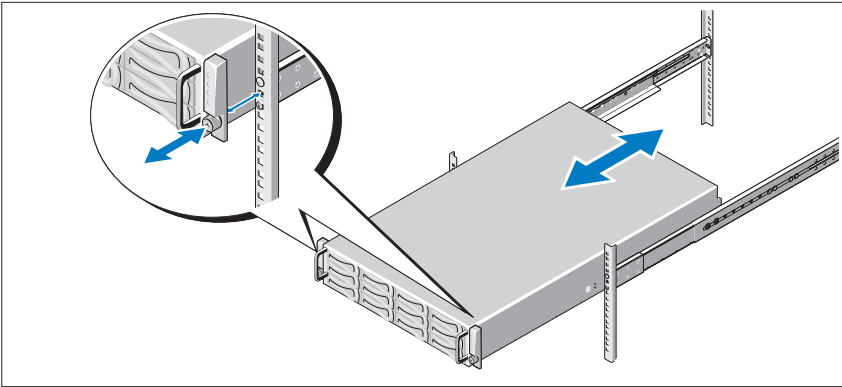


- 4 시스템을 랙에 밀어 넣습니다.
- 5 해당하는 경우, 랙에서 2개의 새시 고정 장치 운송 브래킷(선택 사양)을 제거합니다.

 주: 랙에 이미 설치되어 있는 시스템을 옮기려면 2개의 새시 고정 장치 운송 브래킷(선택 사양)이 제 자리에 있는지 확인합니다.




6 나비 나사를 조여 시스템 모서리를 랙 전면에 고정합니다.

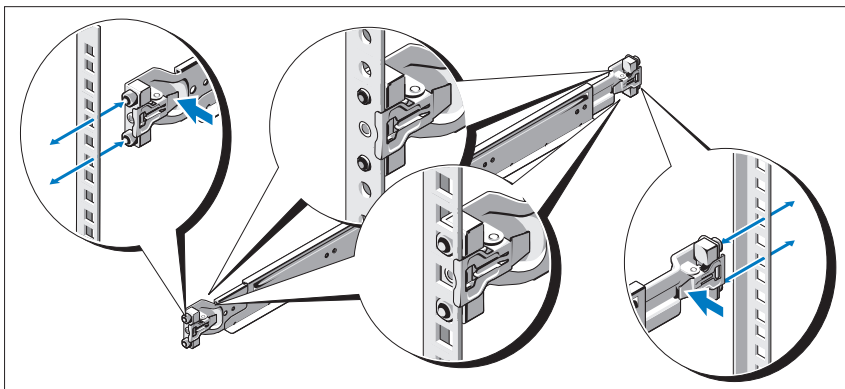


도구를 사용하지 않은 레일 솔루션 설치


- ⚠ 경고 : 시스템을 옮겨야 하는 경우에는 반드시 다른 사람의 도움을 받으십시오 . 부상당할 우려가 있으므로 시스템을 혼자 들지 마십시오 .
- ⚠ 경고 : 시스템은 랙에 고정되거나 레일에 장착되어 있지 않습니다 . 부상이나 시스템 손상을 방지하려면 설치 또는 제거 시 시스템을 적절한 방법으로 지지해야 합니다 .
- ⚠ 경고 : 전기 충격의 위험을 방지하려면 랙 설치 시 세 번째 와이어 안전 접지 전도체가 필요합니다 . 랙 장비는 알맞은 냉각을 유지하기 위해 시스템에 충분한 공기 흐름을 제공해야 합니다 .
- ⚠ 주의 : 사각 구멍 랙에 레일을 설치할 때는 사각 페그가 사각 구멍을 통과하는 것이 중요합니다 .

- 1 레일의 끝 부분을 수직 랙 플랜지에 맞추어 첫 번째 U의 아래쪽 구멍 및 두 번째 U의 위쪽 구멍에 페그를 장착합니다. 래치가 제자리에 고정될 때까지 레일의 뒤쪽 끝을 고정합니다.

 주: 레일은 사각형 구멍 및 원형 구멍 랙 모두에 사용할 수 있습니다.




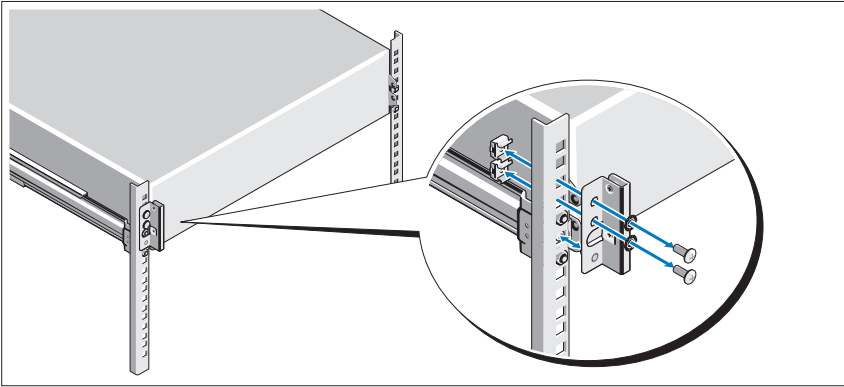
- 2 1단계를 반복하여 수직 플랜지에 앞쪽 끝 부분을 배치하고 장착합니다.

 주: 레일을 분리하려면 끝 부분 중간 지점에 있는 분리 래치 단추를 당겨 각 레일을 분리합니다.

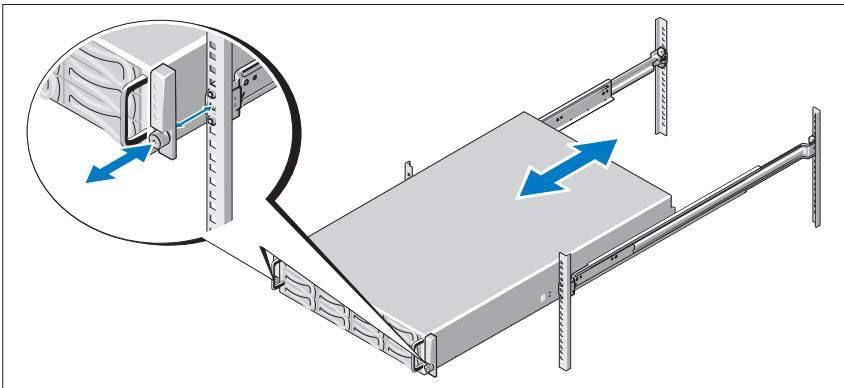
- 3 시스템을 랙에 밀어 넣습니다.

- 4 해당하는 경우, 랙에서 새시 고정 장치 운송 브래킷(선택 사양)을 제거합니다.

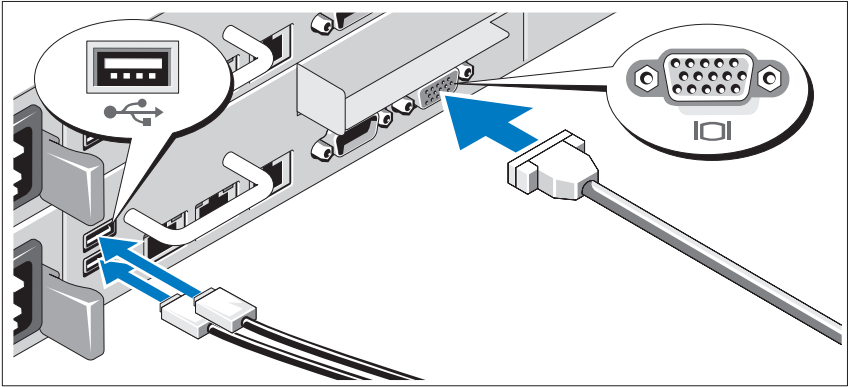
 **주:** 랙에 이미 설치되어 있는 시스템을 옮기려면 새시 고정 장치 운송 브래킷(선택 사양)이 제자리에 있는지 확인합니다.



- 5 나비 나사를 조여 시스템 모서리를 랙 전면에 고정합니다.



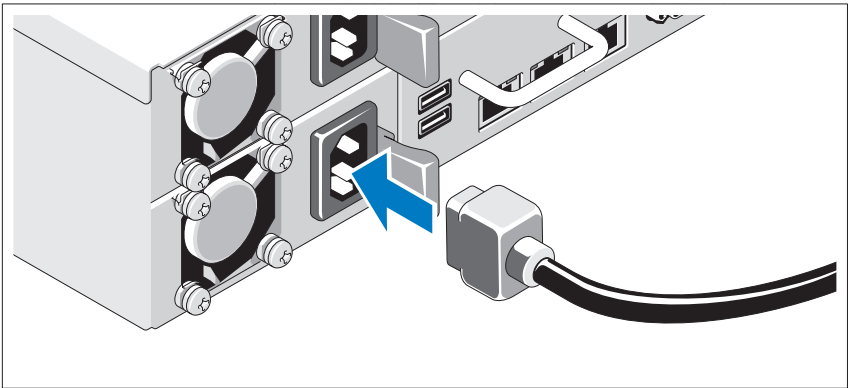
선택 사양 - 키보드, 마우스 및 모니터 연결



키보드, 마우스 및 모니터(선택 사양)를 연결합니다.

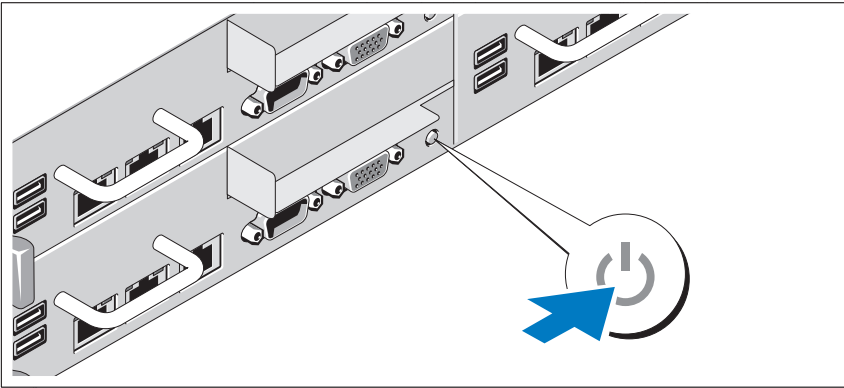
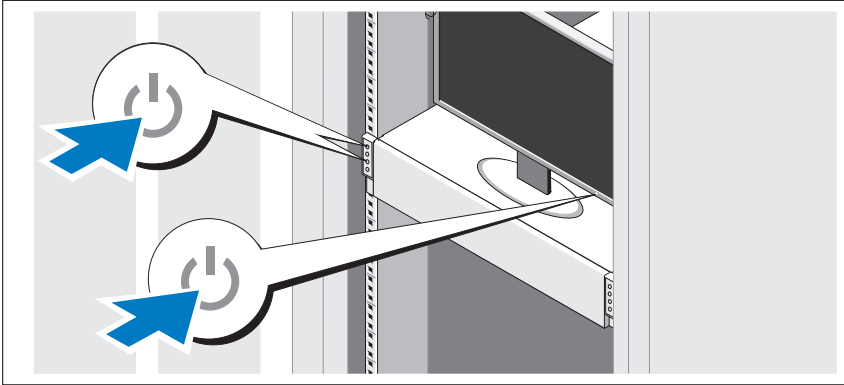
시스템 후면에 있는 커넥터에는 각 커넥터에 연결될 케이블이 표시된 아이콘이 있습니다. 모니터의 케이블 커넥터에 있는 나사(해당하는 경우)를 단단히 고정하십시오.

전원 케이블 연결



시스템의 전원 케이블을 시스템에 연결하고, 모니터를 사용하는 경우 모니터의 전원 케이블을 모니터에 연결합니다. 전원 케이블의 반대쪽 끝을 접지된 전원 콘센트나 무정전 전원 공급 장치 또는 배전 장치와 같은 별도의 전원에 연결합니다.

시스템 켜기



시스템과 모니터의 전면 또는 후면 전원 단추를 누릅니다. 전원 표시등이 켜집니다.

운영 체제 설치 완료

운영 체제를 처음 설치하려면 운영 체제 설치 및 구성 설명서를 참조하십시오. 시스템과 함께 구입하지 않은 하드웨어 또는 소프트웨어를 설치하기 전에 운영 체제가 설치되어 있는지 확인하십시오.

지원되는 운영 체제

- Red Hat® Enterprise Linux® 5.4 Standard Edition(x86_64)
- Red Hat Enterprise Linux 5.4 Standard Edition(x86_32)
- SUSE® Linux Enterprise Server 11(x86_64)
- VMware® ESX Server 4 업데이트 1
- Citrix® XenServer™ Enterprise Edition 5.x



주: 지원되는 운영 체제에 대한 최신 정보는 support.dell.com을 참조하십시오.

기타 필요한 정보



경고: 시스템과 함께 제공된 안전 및 규제 정보를 참조하십시오. 보증 정보는 이 문서에 포함되거나 별도의 문서로 제공될 수 있습니다.

하드웨어 소유자 매뉴얼에서는 시스템 기능에 대한 정보를 제공하고 시스템 문제 해결 방법 및 시스템 구성요소 설치 또는 교체 방법을 설명합니다. 이 문서는 support.dell.com/manuals에서 온라인으로 볼 수 있습니다.

Dell 시스템 관리 응용프로그램 설명서에서는 시스템 관리 소프트웨어를 설치하고 사용하는 방법에 대한 정보를 제공합니다. 이 문서는 support.dell.com/manuals에서 온라인으로 볼 수 있습니다.



주: 새로운 업데이트가 없는지 support.dell.com/manuals에서 항상 확인하십시오. 업데이트에는 최신 정보가 수록되어 있으므로 다른 문서를 읽기 전에 반드시 먼저 참조하시기 바랍니다.

기술 사양

프로세서 (시스템 보드당)

프로세서 종류	Intel® Xeon® 5500 또는 5600 시리즈 프로세서(코어 프로세서 최대 6개) 1개 또는 2개
---------	--

확장 버스 (시스템 보드당)

버스 종류	PCI Express Generation 2
확장 슬롯	
PCIe	절반 길이, 절반 높이 x16 1개
메자닌 PCIe	사용자 정의 슬롯 x8 1개

메모리 (시스템 보드당)

아키텍처	1066 및 1333 MHz DDR3 레지스터된 메모리 모듈(ECC 포함)
메모리 모듈 소켓	240핀 DIMM 12개
메모리 모듈 용량	2 GB, 4 GB 또는 8 GB
최소 RAM	12 GB
최대 RAM	96 GB

드라이브

하드 드라이브	3.5인치 핫 스왑 가능 SAS/SATA 드라이브 최대 12개 또는 2.5인치 핫 스왑 가능 SAS/SATA/SSD 드라이브 최대 24개
---------	---

커넥터 (시스템 보드당)

후면	
NIC	RJ-45(10/100/1000Mbps 이더넷) 2개
직렬	9핀, DTE, 16550 호환
USB	4핀 2개, USB 2.0 호환
비디오	15핀 VGA
KVM over IP 포트	원격 관리 액세스 전용 이더넷 포트

비디오 (시스템 보드당)

비디오 종류	AST2050 비디오 컨트롤러; VGA 커넥터
비디오 메모리	8 MB

전원

AC 전원 공급 장치(전원 공급 장치당)

와트	470 W
전압	100 ~ 240 VAC, 50/60 Hz, 6.5 ~ 3.5 A
열 손실	최대 2390 BTU/hr
와트	750 W
전압	100 ~ 240 VAC, 50/60 Hz, 9.5 ~ 5.0 A
열 손실	최대 3414 BTU/hr
와트	1024 W 저전압/1100 W 고전압
전압	100 ~ 240 VAC, 50/60 Hz, 12.0 ~ 6.7 A
열 손실	최대 4575 BTU/hr
와트	1400 W 고전압
전압	200 ~ 240 VAC, 50/60 Hz, 8.6 ~ 7.2 A
열 손실	최대 5432 BTU/hr
최대 유입 전류	일반적인 라인 상태 및 전체 시스템의 작동 범위에서는 유입 전류가 전원 공급 장치 당 10 ms 이하인 동안 25A에 달합니다.

전지(시스템 보드당)

시스템 전지	CR 2032 3.0 V 리튬 이온 코인 셀
RAID 전지 (선택 사양)	3.7 V 리튬 이온 전지 팩

규격

높이	8.7 cm (3.4인치)
폭	44.8 cm (17.6인치)
깊이	75.1 cm (29.6인치)
무게(최대 구성 시)	36.5 kg (80.5 lb)
무게(비어 있을 경우)	20 kg (44.1 lb)

환경적 특성

주: 특정 시스템 구성을 위한 환경 측정에 대한 자세한 내용은 www.dell.com/environmental_datasheets를 참조하십시오.

온도

작동 시	10 ~ 35° C (50 ~ 95° F), 시간당 최고 10° C의 온도 변화 기준 주: 2,950피트 이상의 고도에서 최대 작동 온도는 1° F/550 ft로 감소됩니다.
------	---

보관 시	-40 ~ 65° C (-40 ~ 149° F), 시간당 최고 20° C의 온도 변화 기준
------	--

상대 습도

작동 시	20 ~ 80 % (비응축), 시간당 최고 10%의 습도 변화 기준
------	---------------------------------------

보관 시	5 ~ 90 % (비응축)
------	----------------

최대 진동

작동 시	5 ~ 350 Hz에서 0.26 Grms
------	------------------------

보관 시	10 ~ 250 Hz에서 15분 동안 1.54 Grms
------	--------------------------------

최대 충격

작동 시	작동 방향으로 2.6 ms 동안 (+) z축으로 31G의 충격 펄스 1회(시스템 각 면에 1회의 펄스)
------	---

보관 시	최대 2 ms 동안(+/-) x, y, z축으로 71G의 연속 충격 펄스 6회(시스템 각 면에 1회의 펄스)
------	--

속도 변화가 597 cm/초(235인치/초)인 27 G 구형파의 (+/-) x, y, z축으로 연속 충격 펄스 6회(시스템 각 면에 1회의 펄스)

환경적 특성 (계속)

고도

작동 시 -16 ~ 3,048 m (-50 ~ 10,000 ft)
주: 2,950피트 이상의 고도에서 최대 작동 온도는 1° F/550 ft로 감소됩니다.

보관 시 -16 ~ 10,600 m (-50 ~ 35,000 ft)

공기 중 오염 물질 수준

등급 ISA-S71.04-1985의 규정에 따른 G2 이하

작동 시 작동 방향으로 2.6 ms 동안 (+) z축으로 31 G의 충격 펄스 1회(시스템 각 면에 1회의 펄스)

보관 시 최대 2 ms 동안(+/-) x, y, z축으로 71 G의 연속 충격 펄스 6회(시스템 각 면에 1회의 펄스)

속도 변화가 597 cm/초(235인치/초)인 27 G 구형파의 (+/-) x, y, z축으로 연속 충격 펄스 6회(시스템 각 면에 1회의 펄스)

고도

작동 시 -16 ~ 3,048 m (-50 ~ 10,000 ft)

주: 2,950피트 이상의 고도에서 최대 작동 온도는 1° F/550 ft로 감소됩니다.

보관 시 -16 ~ 10,600 m (-50 ~ 35,000 ft)

공기 중 오염 물질 수준

등급 ISA-S71.04-1985의 규정에 따른 G2 이하

